



**opttris<sup>®</sup> PI**

**160/ 200/ 230/ 400i/ 450i/ 450i G7/ 640/ 640 G7/ 05M/ 08M/ 1M**

**Infrared camera**

**Optris GmbH**

Ferdinand-Buisson-Str. 14  
13127 Berlin  
Germany

Tel.: +49 30 500 197-0

Fax: +49 30 500 197-10

E-mail: [info@optris.global](mailto:info@optris.global)

Internet: [www.optris.global](http://www.optris.global)



# Table of contents

Table of contents .....	3
<b>1 General Notes .....</b>	<b>7</b>
1.1 Intended use .....	7
1.2 Warranty .....	8
1.3 Scope of delivery .....	9
1.4 Maintenance .....	9
1.4.1 Cleaning .....	9
1.5 Model overview .....	10
<b>2 Technical Data .....</b>	<b>11</b>
2.1 General specifications .....	11
2.2 Electrical specifications .....	15

2.3	Measurement specifications .....	16
2.4	Optical specifications .....	21
<b>3</b>	<b>Mechanical Installation .....</b>	<b>31</b>
3.1	Dimensions .....	31
3.2	Changing the lens .....	39
3.3	Fixing the focus of the lens (only for P1 05M/ 08M/ 1M) .....	40
3.4	Mounting accessories (optional) .....	42
3.5	High temperature accessories .....	43
3.5.1	CoolingJacket .....	43
3.5.2	CoolingJacket Advanced .....	45
3.5.3	Laminar air purge for CoolingJacket .....	49
3.5.4	Outdoor protective housing .....	50
<b>4</b>	<b>Electrical Installation .....</b>	<b>51</b>

4.1	Process interface .....	52
4.1.1	PIN allocation .....	54
4.1.2	Industrial Process Interface (optional) .....	56
4.2	Example for a Fail-Safe monitoring of the PI with a PLC .....	59
4.3	USB cable extension .....	61
<b>5</b>	<b>IRmobile App</b> .....	<b>63</b>
<b>6</b>	<b>Software PIX Connect</b> .....	<b>65</b>
6.1	Installation and initial start-up .....	66
6.2	Software window .....	68
6.2.1	Basis features of the software PIX Connect .....	70
<b>7</b>	<b>Basics of Infrared Thermometry</b> .....	<b>73</b>
<b>8</b>	<b>Emissivity</b> .....	<b>79</b>
8.1	Definition .....	79

8.2	Determination of unknown emissivity .....	81
8.3	Characteristic emissivity .....	83
	<b>Appendix A – Table of emissivity for metals .....</b>	<b>84</b>
	<b>Appendix B – Table of emissivity for non-metals .....</b>	<b>86</b>
	<b>Appendix C – Quick start for serial communication .....</b>	<b>87</b>
	<b>Appendix D – Interprocess Communication (IPC) .....</b>	<b>89</b>
	<b>Appendix E – PIX Connect Resource Translator .....</b>	<b>90</b>
	<b>Appendix F – Wiring diagrams PIF .....</b>	<b>91</b>
	<b>Appendix G – Declaration of Conformity .....</b>	<b>95</b>

# 1 General Notes

## 1.1 Intended use

Thank you for choosing the **optris® PI** infrared camera.

The optris PI calculates the surface temperature based on the emitted infrared energy of objects [► **7 Basics of Infrared Thermometry**]. The two-dimensional detector (FPA - focal plane array) allows a measurement of an area and will be shown as thermal image using standardized palettes. The radiometric processing of the picture data enables the user to do a comfortable detailed analysis with the software PIX Connect.

The PI is a precise instrument and contains an extremely sensitive infrared detector and a high-quality lens.



The alignment of the camera to **intensive energy sources** (e.g. devices which emit laser radiation or reflections of such equipment) can cause an **irreparable defect of the infrared detector**. This is also valid if the camera is switched off.

Such kinds of damages are excluded from warranty.



Read the manual carefully before the initial start-up. The producer reserves the right to change the herein described specifications in case of technical advance of the product.

- Avoid abrupt changes of the ambient temperature.
- Avoid static electricity, arc welders, and induction heaters. Keep away from very strong EMF (electromagnetic fields).
- In case of problems or questions which may arise when you use the infrared camera, please contact our service department.



▶ All accessories can be ordered according to the referred part numbers in brackets [ ].

## 1.2 Warranty

Each single product passes through a quality process. Nevertheless, if failures occur contact the customer service at once. The warranty period covers 24 months starting on the delivery date. After the warranty is expired the manufacturer guarantees additional 6 months warranty for all repaired or substituted product components. Warranty does not apply to damages, which result from misuse or neglect. The warranty also expires if you open the product. The manufacturer is not liable for consequential damage or in case of a non-intended use of the product.

If a failure occurs during the warranty period the product will be replaced, calibrated or repaired without further charges. The freight costs will be paid by the sender. The manufacturer reserves the right to exchange components of the product instead of repairing it. If the failure results from misuse or neglect the user has to pay for the repair. In that case you may ask for a cost estimate beforehand.



### 1.3 Scope of delivery

- PI 160, PI 200, PI 230, PI 400i, PI 450i, PI 450i G7, PI 640, PI 640 G7, PI 05M, PI 08M or PI 1M incl. 1 lens
- USB-cable: 1 m (standard scope of supply, no IP67 protection class)  
1 m, 3 m, 5 m, 10 m, 20 m (optional, for industrial applications, with IP67)
- Table tripod
- Process interface cable incl. terminal block (1 m)
- Software package PIX Connect
- Operators manual
- Aluminum case
- PI 640/ 640 G7 only: robust hard transport case (IP67)
- PI 200/ 230 only: focusing tool for VIS camera

### 1.4 Maintenance



Never use cleaning compounds which contain solvents (neither for the lens nor for the housing).

#### 1.4.1 Cleaning

Blow off loose particles using clean compressed air. The lens surface can be cleaned with a soft, humid tissue (moistened with water) or a lens cleaner (e.g. Purosol or B+W Lens Cleaner).

## 1.5 Model overview

The cameras of the PI series are available in the following basic versions:

Model	Model code	Temperature range	Spectral range	Frame rate	Typical applications
PI 160	IR	-20 to 900 °C 200 to 1500 °C (optional)	7.5 - 13 µm	120 Hz	Surface measurements in industrial application
PI 200/ PI 230	BI-SPECTRAL	-20 to 900 °C 200 to 1500 °C (optional)	7.5 - 13 µm	128 Hz	Synchronous recording of VIS and IR videos and images
PI 400i/ PI 450i	IR	-20 to 900 °C 200 to 1500 °C (optional)	7.5 - 13 µm	80 Hz	Real-time thermographic images in high speed; Detection of smallest temperature differences (PI 450i)
PI 450i G7	IR	200 to 1500 °C 150 to 900 °C	7.9 µm	80 Hz/ 27 Hz	Measurement of glass (with Line-Scanning mode)
PI 640	IR	-20 to 900 °C 200 to 1500 °C (optional)	7.5 - 13 µm	32 Hz	Pin-sharp radiometric recordings in real time
PI 640 G7	IR	200 to 1500 °C 150 to 900 °C	7.9 µm	32 Hz	Measurement of glass (with Line-Scanning mode)
PI 05M	IR	900 to 2450 °C	500 – 540 nm	Up to 1 KHz	Measurement of metallic surfaces, graphite or ceramics with short wavelengths
PI 08M	IR	575 ... 1900 °C	780 – 820 nm	Bis 1 KHz	Measurement of metallic surfaces, graphite or ceramics with short wavelengths, especially for laser applications
PI 1M	IR	450 to 1800 °C	0.85 - 1.1 µm	Up to 1 KHz	Measurement of metallic surfaces, graphite or ceramics with short wavelengths

**Table 1 :** Model overview

## 2 Technical Data

### 2.1 General specifications

Environmental rating:	IP67 (NEMA-4)
Ambient temperature:	0...50 °C [PI 160/ PI 200/ PI 230/ PI 400i/ PI 640/ PI 640 G7] 5...50 °C [PI 05M/ PI 08M/ PI 1M] 0...70 °C [PI 450i/ PI 450i G7]
Storage temperature:	-40...70 °C (-40...85 °C [PI 450i/ PI 450i G7])
Relative humidity:	10...95 %, non-condensing
Material (housing):	Aluminum, anodized
Dimensions:	PI 160/ PI 200/ PI 230: 45 x 45 x 60 - 76 mm (depending on lens and focus position) PI 400i/ PI 450i (450i G7)/ PI 640 (640 G7): 46 x 56 x 76 - 100 mm (depending on lens and focus position) PI 640 microscope optics: 46 x 56 x 119 – 126 mm (depending on focus position) PI 05M/ PI 08M/ PI 1M: 46 x 56 x 88 - 129 mm (depending on lens and focus position)
Weight:	PI 160: 195 g PI 200/ PI 230: 215 g PI 400i/ PI 450i (450i G7)/ PI 640 (640 G7)/PI 05M/ PI 08M/ PI 1M: 320 g
Cable length (USB 2.0):	1 m (standard), 3 m, 5 m, 10 m, 20 m

Vibration <sup>1)</sup> :	IEC 60068-2-6 (sinus shaped) IEC 60068-2-64 (broadband noise)
Shock <sup>1)</sup> :	IEC 60068-2-27 (25 G and 50 G)

### 1) Used standards for vibration and shock:

IEC 60068-1:1988 + Corr. 1988 + A1: 1992	DIN EN 60068-1:1995-03
„Umwelprüfungen - Teil 1: Allgemeines und Leitfaden“	
IEC 60068-2-6:2007	DIN EN 60068-2-6: VDE 0468-2-6:2008-10
„Umgebungseinflüsse - Teil 2-6: Prüfverfahren - Prüfung Fc: Schwingen (sinusförmig)“	
IEC 60068-2-27:2008	DIN EN 60068-2-27: VDE 0468-2-27:2010-02
„Umgebungseinflüsse - Teil 2-27: Prüfverfahren - Prüfung Ea und Leitfaden: Schocken“	
IEC 60068-2-47:2005	DIN EN 60068-2-47:2006-03
„Umgebungseinflüsse - Teil 2-47: Prüfverfahren - Befestigung von Prüflingen für Schwing-, Stoß- und ähnliche dynamische Prüfungen“	
IEC 60068-2-64:2008	DIN EN 60068-2-64: VDE 0468-2-64:2009-04
„Umgebungseinflüsse - Teil 2-64: Prüfverfahren - Prüfung Fh: Schwingen, Breitbandrauschen (digital geregelt) und Leitfaden“	

### Figure 1 : Used standards

Stress program (camera in operation):

<b>Shock, half sinus 25 G – testing Ea 25 G (acc. IEC 60068-2-27)</b>		
Acceleration	245 m/s <sup>2</sup>	(25 G)

Pulse duration	11 ms		
Number of directions	6	(3 axes with 2 directions each)	
Duration	600 Shocks	(100 Shocks each direction)	
<b>Shock, half sinus 50 G – testing Ea 50 G (acc. IEC 60068-2-27)</b>			
Acceleration	490 m/s <sup>2</sup>	(50 G)	
Pulse duration	11 ms		
Number of directions	6	(3 axes with two directions each)	
Duration	18 Shocks	(3 Shocks each direction)	
<b>Vibration, sinus shaped – testing Fc (acc. IEC60068-2-6)</b>			
Frequency range	10 - 500 Hz		
Acceleration	29.42 m/s <sup>2</sup>	(3 G)	
Frequency change	1 Octave/ min		
Number of axes	3		

Duration	1:30 h	(3 x 0.30 h)	
<b>Vibration, broadband noise – testing Fh (acc. IEC60068-2-64)</b>			
Frequency range	10 - 2000 Hz		
Acceleration	39.3 m/s <sup>2</sup>	(4.01 Grms))	
Frequency spectrum	10 - 106 Hz	0.9610 (m/s <sup>2</sup> ) <sup>2</sup> /Hz	(0.010 G <sup>2</sup> /Hz)
	106 - 150 Hz	+6 dB/ Octave	
	150 - 500 Hz	1.9230 (m/s <sup>2</sup> ) <sup>2</sup> /Hz	(0.020 G <sup>2</sup> /Hz)
	500 - 2000 Hz	-6 dB/ Octave	
	2000 Hz	0.1245 (m/s <sup>2</sup> ) <sup>2</sup> /Hz	(0.00126 G <sup>2</sup> /Hz)
Number of axes	3		
Duration	3 h	(3 x 1 h)	

## 2.2 Electrical specifications

Power Supply:	5 VDC (powered via USB 2.0 interface)
Current draw:	Max 500 mA
AO: Output Standard Process Interface (PIF out)	0 - 10 V (Main measure area, measure area, internal temperature, flag status, recording status, line scan status, alarm, frame sync, fail-safe, external communication) <b>▶ Appendix F – Wiring diagrams PIF]</b>
AI: Input Standard Process Interface (PIF in)	0 - 10 V (Emissivity, ambient temperature, reference temperature, uncommitted value, flag control, triggered snapshots, triggered recording, triggered linescanner, triggered event grabber, reset peak-/value-hold, switch temperature range) <b>▶ Appendix F – Wiring diagrams PIF]</b>
DI: Digital Input Standard Process Interface	Flag control, , triggered snapshots, triggered recording, triggered linescanner, triggered event grabber, reset peak-/value-hold, switch temperature range <b>▶ Appendix F – Wiring diagrams PIF]</b>
Digital interface:	USB 2.0

## 2.3 Measurement specifications

	<u>PI 160</u>	<u>PI 200<sup>1)</sup></u>	<u>PI 230<sup>1)</sup></u>
Temperature ranges		-20...100 °C; 0...250 °C; (20) 150...900 °C <sup>2)</sup> ; Option: 200...1500 °C	
Spectral range		7.5 - 13 µm	
Detector	UFPA, 160 x 120 pixel @ 120 Hz	UFPA, 160 x 120 pixel @ 128 Hz <sup>3)</sup> 640 x 480 pixel (visual camera)	
Lenses (FOV)		6° x 5° (F=1,6); 23° x 17° (F=0,8); 41° x 31° (F=1); 72° x 52° (F=1)	
Optics (FOV) – visual camera	-	54° x 40°	30° x 23°
System accuracy <sup>4)</sup>		±2°C or ±2 %	
Thermal sensitivity (NETD):		40 mK with 23°; 0,3 K with 6°; 0,1 K with 41° and 72°	
Warm-up time		10 min	
Emissivity		0.100...1.100	
Software		PIX Connect	

<sup>1)</sup> For an ideal combination of IR and VIS image we recommend the 41° lens for PI 200 and the 23° lens for PI 230

<sup>2)</sup> Accuracy statement effective from 150 °C

<sup>3)</sup> The following options can be set: Option 1 (IR with 96 Hz at 160 x 120 px; VIS with 32 Hz at 640 x 480 px); Option 2 (IR with 128 Hz at 160 x 120 px; VIS with 32 Hz at 596 x 447 px)

<sup>4)</sup> At ambient temperature 23±5 °C; whichever is greater



	<u>PI 400i</u>	<u>PI 450i</u>	<u>PI 450i G7</u>
Temperature ranges	-20...100 °C; 0...250 °C; (20) 150...900 °C <sup>1)</sup> ; Option: 200...1500 °C		200...1500 °C 150...900 °C
Sighting range <sup>2)</sup>	-		0...250 °C
Spectral range	7.5 - 13 µm		7.9 µm
Detector	UFPA, 382 x 288 pixel @ 80 Hz (switchable to 27 Hz)		
Lenses (FOV)	18° x 14° (F=1,1), 29° x 22° (F=0,9), 53° x 38° (F=0,9); 80° x 54° (F=0,9)		
System accuracy <sup>3)</sup>	±2°C or ±2 %		
Thermal sensitivity (NETD):	75 mK <sup>4)</sup> with 29°, 53° and 80°; 0.1 K <sup>4)</sup> with 18°	40 mK <sup>4)</sup> with 29°, 53° and 80°; 60 mK <sup>4)</sup> with 18°	130 mK (T <sub>obj</sub> = 650 °C)
Warm-up time	10 min		
Emissivity	0.100...1.100		
Software	PIX Connect		

<sup>1)</sup> Accuracy statement effective from 150 °C

<sup>2)</sup> The sighting range is used to align the G7 cameras

<sup>3)</sup> At ambient temperature 23±5 °C; whichever is greater

<sup>4)</sup> Value is valid at 40 Hz and 25 °C room temperature

	<u>PI 640</u>	<u>PI 640 G7</u>
Temperature ranges	-20...100 °C; 0...250 °C; (20) 150...900 °C <sup>1)</sup> Option: 200...1500 °C	200...1500 °C 150...900 °C
Sighting range <sup>2)</sup>	-	0...250 °C
Spectral range	7.5 - 13 µm	7,9 µm
Detector		UFFPA, 640 x 480 Pixel @ 32 Hz 640 x 120 Pixel @ 125Hz
Lenses (FOV)		15° x 11° (F=1); 33° x 25° (F=0,8); 60° x 45° (F=0,8); 90° x 64° (F=0,8)
Microscope lens (FOV)	12° x 9° (F=1,1)	-
System accuracy <sup>3)</sup>		±2°C or ±2 %
Thermal sensitivity (NETD):	75 mK with 33°, 60° and 90° 85 mK with 15°	130 mK (T <sub>obj</sub> = 650 °C)
Warm-up time		10 min
Emissivity		0.100...1.100
Software		PIX Connect

<sup>1)</sup> Accuracy statement effective from 150 °C

<sup>2)</sup> The sighting range is used to align the G7 cameras

<sup>3)</sup> At ambient temperature 23±5 °C; whichever is greater

	<u>PI 05M</u>	<u>PI 08M</u>	<u>PI 11M</u>
Temperature ranges	900 ... 2450 °C (27 Hz mode) 950 ... 2450 °C (80 Hz and 32 Hz mode) 1100 ... 2450 °C (1 kHz mode)	575 ... 1900 °C (27 Hz mode) 625 ... 1900 °C (80 Hz- and 32 Hz-mode) 750 ... 1900 °C (1 kHz mode)	450 <sup>1)</sup> ... 1800 °C (27 Hz mode) 500 <sup>1)</sup> ... 1800 °C (80 Hz and 32 Hz mode) 600 <sup>1)</sup> ... 1800 °C (1 kHz mode)
Spectral range	500 - 540 nm	780 – 820 nm	0,85 - 1,1 µm
Detector	CMOS, 764 x 480 pixel @ 32 Hz 382 x 288 pixel @ 80 Hz (switchable to 27 Hz) 72x56 pixel @ 1 kHz (1 ms real-time analog output (0-10 V) from 8x8 pixel (freely selectable)) 764 x 8 Pixel @ 1 kHz (fast line scanning-mode, 1 ms real-time analog output (0-10 V) from 8x8 pixel (freely selectable))		
Lenses (FOV) <sup>2)</sup>	<b>FOV@764x480 px:</b> 26°x 16° (F=1,4) <b>FOV@382x288 px:</b> 13°x 10° <b>FOV@764x480 px:</b> 9°x 5° (F=2,8), 13°x 8° (F=2,4), 26°x16° (F=1,4), 39°x 25° (F=1,4) <b>FOV@382x288 px:</b> 4°x 3°, 7°x 5°, 13°x 10°, 20°x 15°		
System accuracy <sup>3)</sup>	For object temperature < 2000 °C: ±1 % of reading for 27/32/80 Hz ±1,5 % of reading for 1 kHz For object temperature > 2000 °C: ±2 % of reading for 27/32/80 Hz ±2,5 % of reading for 1 kHz	For object temperature < 1500 °C: ±1 % of reading for 27/32/80 Hz ±1,5 % of reading for 1 kHz For object temperature > 1500 °C: ±2 % of reading for 27/32/80 Hz ±2,5 % of reading for 1 kHz	For object temperature < 1400 °C: ±1 % of reading for 27/32/80 Hz ±1,5 % of reading for 1 kHz For object temperature < 1600 °C: ±2 % of reading for 27/32/80 Hz ±2,5 % of reading for 1 kHz
Thermal sensitivity (NETD) <sup>4)</sup> :	< 2 K (< 1400 °C) < 4 K (< 2100 °C)	< 2 K (< 1000 °C) < 4 K (< 1600 °C)	< 2 K (< 900 °C) < 4 K (< 1400 °C)
Warm-up time	10 min		

Emissivity	0.100...1.100
Software	PIX Connect

- <sup>1)</sup> +75 °C start temperature for optics with focal length  $f = 50$  mm,  $f = 75$  mm
- <sup>2)</sup> An additionally purchased lens for the P1 05M/ 08M/ 1M camera comes with the corresponding protective tube
- <sup>3)</sup> At an ambient temperature of 25 °C
- <sup>4)</sup> Specified NETD value applies to all frequencies

## 2.4 Optical specifications



- Make sure that the focus of thermal channel is adjusted correctly. If necessary, focus the thermal imaging camera with the optics (**Figure 2**). The turning out of the optics leads to the focus setting "near" and the turning in of the lens to the focus setting "infinity".
- The visual camera (PI 200/230 only) is adjusted with the supplied focusing tool (**Figure 4**). For this purpose, the focusing tool with the two pins is placed on the visual camera and is focused to "near" by a left turn and focused to "infinity" by a right rotation.



**Figure 2:** Focusing by turning the exterior lens ring of camera



**Figure 3:** PI 200/ 230 with visual camera  
**1** IR channel    **2** VIS channel



**Figure 4:** Focusing tool for VIS camera



For the PI 05M, PI 08M and PI 1M camera, you must first unscrew the protective tube in order to be able to focus the camera (**Figure 5**).



**Figure 5:** PI 05M/ PI 08M / PI 1M

The variety of different lenses offers the possibility to precisely measure objects in different distances. We offer lenses for close, standard distances and large distances. Different parameters are important if using infrared cameras. They display the connection between the distance of the measured object and the size of the pixel (**Table 2**).

With the help of BI-SPECTRAL technology at PI 200/ 230, a visual image (VIS) can be combined with a thermal image (IR). Both can be finally captured time synchronously.

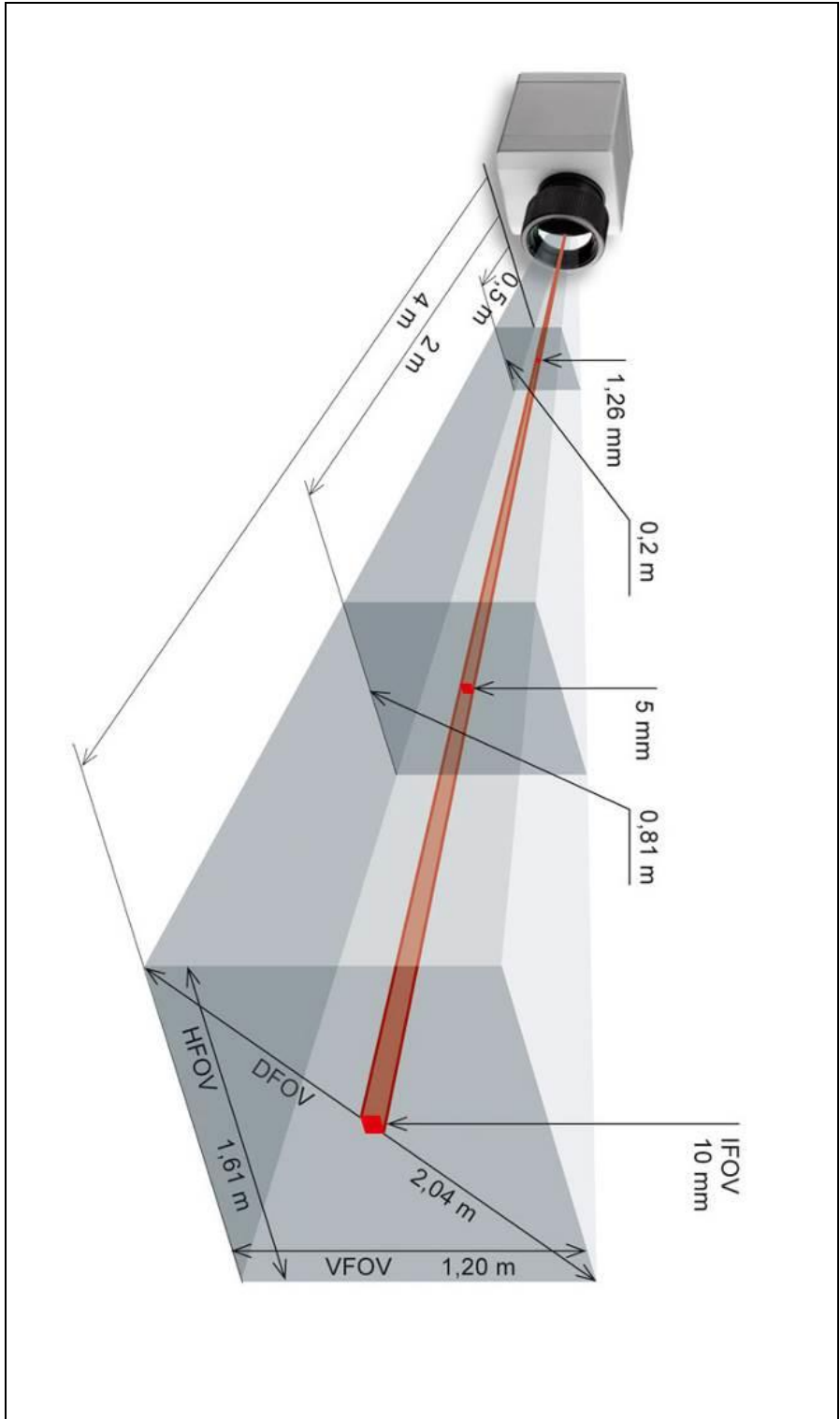


Figure 6: Measurement field of the infrared camera optiris® P1 representing the 23° x 17° lens

- **HFOV**: Horizontal enlargement of the total measuring at object level
- **VFOV**: Vertical enlargement of the total measuring at object level
- **IFOV**: Size at the single pixel at object level
- **DFOV**: Diagonal dimension of the total measuring field at object level
- **MFOV**: Recommended, smallest measured object size of 3 x 3 pixel

The following tables with examples showing what spot sizes and pixel sizes will be reached in which distance. For individual configuration there are different lenses available. Wide angle lenses have a radial distortion due to their large opening angle; the software PIX Connect has an algorithm which corrects this distortion. As an alternative to the tables below, the optics calculator can also be used on the optiris website (<https://www.optiris.global/optics-calculator>) or via the optiris calculator app. The app can be downloaded for free from the Google Play Store (see QR Code).





Table 2:

PI 160 / 200 160 x 120 px	Focal length [mm]	Angle	Minimum measurement distance*	Distance to measurement object [m]											
				0.02	0.1	0.2	0.3	0.5	1	2	4	6	10	30	100
O23 Standard lens	10	23°	0.2 m	0.012	0.043	0.08	0.12	0.21	0.41	0.81	1.62	2.44	4.1	12.2	40.6
		17°		0.009	0.032	0.06	0.09	0.15	0.30	0.60	1.21	1.81	3.0	9.0	30.1
		29°		0.015	0.054	0.10	0.16	0.26	0.51	1.01	2.02	3.03	5.1	15.2	50.5
		2.48 mrad		0.1	0.3	0.5	0.8	1.3	2.5	5.0	9.9	14.9	24.8	74.4	248.0
O6 Telephoto lens	35.5	6°	0.5 m					0.06	0.11	0.23	0.45	0.68	1.1	3.4	11.3
		5°					0.04	0.09	0.17	0.34	0.51	0.8	2.5	8.5	
		8°					0.07	0.14	0.28	0.57	0.85	1.4	4.2	14.2	
		0.70 mrad						0.4	0.7	1.4	2.8	4.2	7.0	21.1	70.4
O48 Wide angle lens	5.7	41°	0.2 m	0.022	0.082	0.16	0.23	0.38	0.76	1.51	3.00	4.50	7.5	22.5	74.9
		31°		0.016	0.059	0.11	0.17	0.28	0.55	1.10	2.19	3.28	5.5	16.4	54.5
		51°		0.027	0.101	0.19	0.29	0.47	0.94	1.86	3.72	5.57	9.3	27.8	92.7
		4.39 mrad		0.1	0.4	0.9	1.3	2.2	4.4	8.8	17.5	26.3	43.9	131.6	438.6
O72 Wide angle lens	3.3	72°	0.2 m	0.039	0.152	0.29	0.43	0.72	1.42	2.84	5.66	8.49	14.1	42.4	141.4
		52°		0.027	0.106	0.20	0.30	0.50	0.99	1.98	3.95	5.92	9.9	29.6	98.6
		89°		0.048	0.186	0.36	0.53	0.87	1.74	3.46	6.91	10.35	17.2	51.7	172.3
		7.51 mrad		0.2	0.8	1.5	2.3	3.8	7.5	15.0	30.0	45.0	75.1	225.2	750.8

\* Note: The accuracy of measurement can be outside of the specifications for distances below the defined minimum distance.

P1 400i / 450i P1 450i G7 382 x 288 px	Focal length [mm]	Minimum measurement distance*	Angle	Distance to measurement object [m]													
					0.02	0.1	0.2	0.3	0.5	1	2	4	6	10	30	100	
				HFOV [m]													
O29 Standard lens	13	0.35 m	29°	HFOV [m]		0.057	0.111	0.16	0.27	0.53	1.06	2.1	3.2	5.3	15.7	52.5	
			22°	VFOV [m]		0.042	0.081	0.12	0.20	0.40	0.80	1.6	2.4	4.0	11.9	39.6	
			37°	DFOV [m]		0.071	0.137	0.20	0.34	0.67	1.32	2.6	4.0	6.6	19.7	65.7	
			1.3 mrad	IFOV [mm]		0.1	0.3	0.4	0.7	1.3	2.7	5.4	8.0	13.4	40.2	133.9	
O13 Telephoto lens	20	0.45 m	18°	HFOV [m]		0.066	0.099	0.16	0.16	0.33	0.65	1.3	1.9	3.2	9.7	32.4	
			14°	VFOV [m]		0.050	0.075	0.12	0.12	0.25	0.49	1.0	1.5	2.5	7.4	24.6	
			23°	DFOV [m]		0.083	0.124	0.20	0.20	0.41	0.82	1.6	2.4	4.1	12.2	40.7	
			0.9 mrad	IFOV [mm]		0.2	0.3	0.3	0.4	0.9	1.7	3.5	5.2	8.6	25.9	86.3	
O53 Wide angle lens	8	0.25 m	53°	HFOV [m]		0.103	0.20	0.30	0.50	1.0	2.0	4.0	5.9	9.9	29.6	98.6	
			38°	VFOV [m]		0.073	0.14	0.21	0.35	0.70	1.4	2.8	4.1	6.9	20.7	68.9	
			66°	DFOV [m]		0.127	0.25	0.37	0.61	1.22	2.4	4.8	7.2	12.0	36.1	120.3	
			2.2 mrad	IFOV [mm]		0.2	0.4	0.7	1.1	2.2	4.4	8.8	13.2	21.9	65.8	219.4	
O80 Super wide angle lens	6	0.2 m	80°	HFOV [m]		0.087	0.17	0.33	0.49	0.82	1.7	3.3	6.7	10.0	16.6	49.9	166.4
			54°	VFOV [m]		0.056	0.11	0.21	0.31	0.51	1.0	2.0	4.1	6.1	10.2	30.6	101.9
			96°	DFOV [m]		0.103	0.20	0.39	0.58	0.97	2.0	3.9	7.8	11.7	19.5	58.5	195.1
			3.0 mrad	IFOV [mm]		0.2	0.3	0.6	0.9	1.5	3.0	6.0	12.0	18.1	30.1	90.3	300.9

\* Note: The accuracy of measurement can be outside of the specifications for distances below the defined minimum distance.

PI 640 PI 640 G 7 640 x 480 px	Focal length [mm]	Angle	Minimum measurement distance*	Distance to measurement object [m]											
					0.1	0.2	0.3	0.5	1	2	4	6	10	30	100
O33 Standard lens	18.7	33°	0.2 m	HFOV [m]	0.068	0.13	0.19	0.31	0.60	1.20	2.38	3.57	5.9	17.8	59.3
		25°	VFOV [m]	0.051	0.09	0.14	0.23	0.45	0.89	1.77	2.65	4.4	13.2	44.2	
		41°	DFOV [m]	0.085	0.16	0.23	0.38	0.75	1.49	2.97	4.45	7.4	22.2	74.0	
		0.91 mrad		IFOV [mm]	0.1	0.2	0.3	0.5	0.9	1.8	3.6	5.5	9.1	27.3	90.9
O15 Tele lens	41.5	15°	0.5 m	HFOV [m]				0.13	0.26	0.52	1.05	1.57	2.6	7.8	26.1
		11°	VFOV [m]				0.10	0.20	0.39	0.79	1.18	2.0	5.9	19.6	
		19°	DFOV [m]				0.17	0.33	0.66	1.31	1.96	3.3	9.8	32.7	
		0.41 mrad		IFOV [mm]				0.2	0.4	0.8	1.6	2.5	4.1	12.3	41.0
O60 Wide angle lens	10.5	60°	0.2 m	HFOV [m]	0.128	0.25	0.36	0.59	1.17	2.32	4.63	6.94	11.6	34.6	115.4
		45°	VFOV [m]	0.091	0.18	0.26	0.42	0.83	1.66	3.31	4.96	8.3	24.7	82.4	
		75°	DFOV [m]	0.157	0.30	0.44	0.72	1.43	2.85	5.69	8.52	14.2	42.6	141.8	
		1.62 mrad		IFOV [mm]	0.2	0.3	0.5	0.8	1.6	3.2	6.5	9.7	16.2	48.6	161.9
O90 Super wide angle lens	7.7	90°	0.2 m	HFOV [m]	0.220	0.43	0.63	1.03	2.03	4.04	8.06	12.07	20.1	60.3	200.8
		64°	VFOV [m]	0.138	0.27	0.39	0.64	1.27	2.53	5.05	7.57	12.6	37.8	125.9	
		111°	DFOV [m]	0.260	0.50	0.73	1.21	2.39	4.76	9.50	14.24	23.7	71.1	237.0	
		2.21 mrad		IFOV [mm]	0.2	0.4	0.7	1.1	2.2	4.4	8.8	13.2	22.1	66.2	220.8

\* Note: The accuracy of measurement can be outside of the specifications for distances below the defined minimum distance.

Microscope optics PI 640 640 x 480 px	Focal length [mm]	Minimum measurement distance*	Angle	Distance to measurement object [m]			
				0.08	0.09	0.1	
F44 Microscope lens	44.2	0.08 m	12°	HFOV [m]	0.018	0.021	0.023
			9°	VFOV [m]	0.014	0.016	0.017
			15°	DFOV [m]	0.023	0.026	0.029
			0.36 mrad	I-FOV [mm]	0.028	0.032	0.036

\* Note: The accuracy of measurement can be outside of the specifications for distances below the defined minimum distance.

PI 1M / PI 08M / PI 05M <sup>1)</sup>	764 x 480 px	Focal length [mm]	Minimum measurement distance*	Angle	Distance to measurement object [m]										
					0.1	0.2	0.3	0.5	1	2	4	6	10	30	100
					HFOV [m]	VFOV [m]	DFOV [m]	IFOV [mm]	HFOV [m]	VFOV [m]	DFOV [m]	IFOV [mm]	HFOV [m]	VFOV [m]	DFOV [m]
OF16	16	0.2 m	39°	HFOV [m]	0.14	0.21	0.21	0.36	0.72	1.43	2.87	4.30	7.2	21.5	71.6
				VFOV [m]	0.09	0.14	0.14	0.23	0.45	0.90	1.80	2.70	4.5	13.5	45.0
				DFOV [m]	0.17	0.25	0.25	0.42	0.85	1.69	3.38	5.08	8.5	25.4	84.6
OF25	25	0.5 m	26°	HFOV [m]	0.09	0.14	0.14	0.23	0.46	0.92	1.83	2.75	4.6	13.8	45.8
				VFOV [m]	0.06	0.09	0.09	0.14	0.29	0.58	1.15	1.73	2.9	8.6	28.8
				DFOV [m]	0.11	0.16	0.16	0.27	0.54	1.08	2.17	3.25	5.4	16.2	54.1
OF50	50	1.5 m	13°	HFOV [m]	0.11	0.23	0.23	0.46	0.92	1.83	2.75	4.6	13.8	45.8	
				VFOV [m]	0.07	0.14	0.14	0.27	0.54	1.08	1.62	2.7	8.1	27.1	
				DFOV [m]	0.14	0.27	0.27	0.54	1.08	2.17	3.25	5.4	16.2	54.1	
OF75	75	2.0 m	9°	HFOV [m]	0.15	0.31	0.31	0.61	1.22	2.44	3.66	6.0	18.0	60.0	
				VFOV [m]	0.10	0.19	0.19	0.38	0.76	1.52	2.28	3.42	5.43	16.29	
				DFOV [m]	0.18	0.36	0.36	0.72	1.44	2.88	4.32	7.2	21.6	64.8	

\* Note: The accuracy of measurement can be outside of the specifications for distances below the defined minimum distance.

<sup>1)</sup> PI 05M and PI 08M is only available with OF25 optics

PI 1M / PI 08M / PI 05M <sup>1)</sup> 382 x 288 px	Focal length [mm]	Minimum measurement distance*	Angle	Distance to measurement object [m]											
				0.1	0.2	0.3	0.5	1	2	4	6	10	30	100	
OF16	16	0.2 m	20°	HFOV [m]	0.07	0.11	0.18	0.36	0.72	1.43	2.15	3.6	10.7	35.8	
			15°	VFOV [m]	0.05	0.08	0.14	0.27	0.54	1.08	1.62	2.7	8.1	27.0	
			25°	DFOV [m]	0.09	0.13	0.22	0.45	0.90	1.79	2.69	4.5	13.5	44.9	
			0.94 mrad	I FOV [mm]	0.2	0.3	0.5	0.9	1.9	3.8	5.6	9.4	28.1	93.8	
OF25	25	0.5 m	13°	HFOV [m]	0.023	0.05	0.07	0.11	0.23	0.46	0.92	1.38	2.3	6.9	22.9
			10°	VFOV [m]	0.017	0.03	0.05	0.09	0.17	0.35	0.69	1.04	1.7	5.2	17.3
			16°	DFOV [m]	0.029	0.06	0.09	0.14	0.29	0.57	1.15	1.72	2.9	8.6	28.7
			0.60 mrad	I FOV [mm]	0.1	0.1	0.2	0.3	0.6	1.2	2.4	3.6	6.0	18.0	60.0
OF50	50	1.5 m	7°	HFOV [m]	0.06	0.11	0.23	0.46	0.69	1.1	3.4	11.5			
			5°	VFOV [m]	0.04	0.09	0.17	0.35	0.52	0.9	2.6	8.6			
			8°	DFOV [m]	0.07	0.14	0.29	0.57	0.86	1.4	4.3	14.4			
			0.30 mrad	I FOV [mm]	0.2	0.3	0.6	1.2	1.8	3.0	9.0	30.0			
OF75	75	2.0 m	4°	HFOV [m]	0.08	0.15	0.31	0.46	0.8	2.3	7.6				
			3°	VFOV [m]	0.06	0.12	0.23	0.35	0.6	1.7	5.8				
			5°	DFOV [m]	0.10	0.19	0.38	0.57	1.0	2.9	9.6				
			0.20 mrad	I FOV [mm]	0.2	0.4	0.8	1.2	2.0	6.0	20.0				

\* Note: The accuracy of measurement can be outside of the specifications for distances below the defined minimum distance.

<sup>1)</sup> PI 05M and PI 08M is only available with OF25 optics

## 3 Mechanical Installation

### 3.1 Dimensions

The PI is equipped with two metric M4 thread holes on the bottom side (6 mm depth) and can be installed either directly via these threads or with help of the tripod mount (also on bottom side).



The tightening torque of the M4 screws for mounting the PI camera should be between **1 ... 1.5 Nm** and must not exceed **2 Nm**.

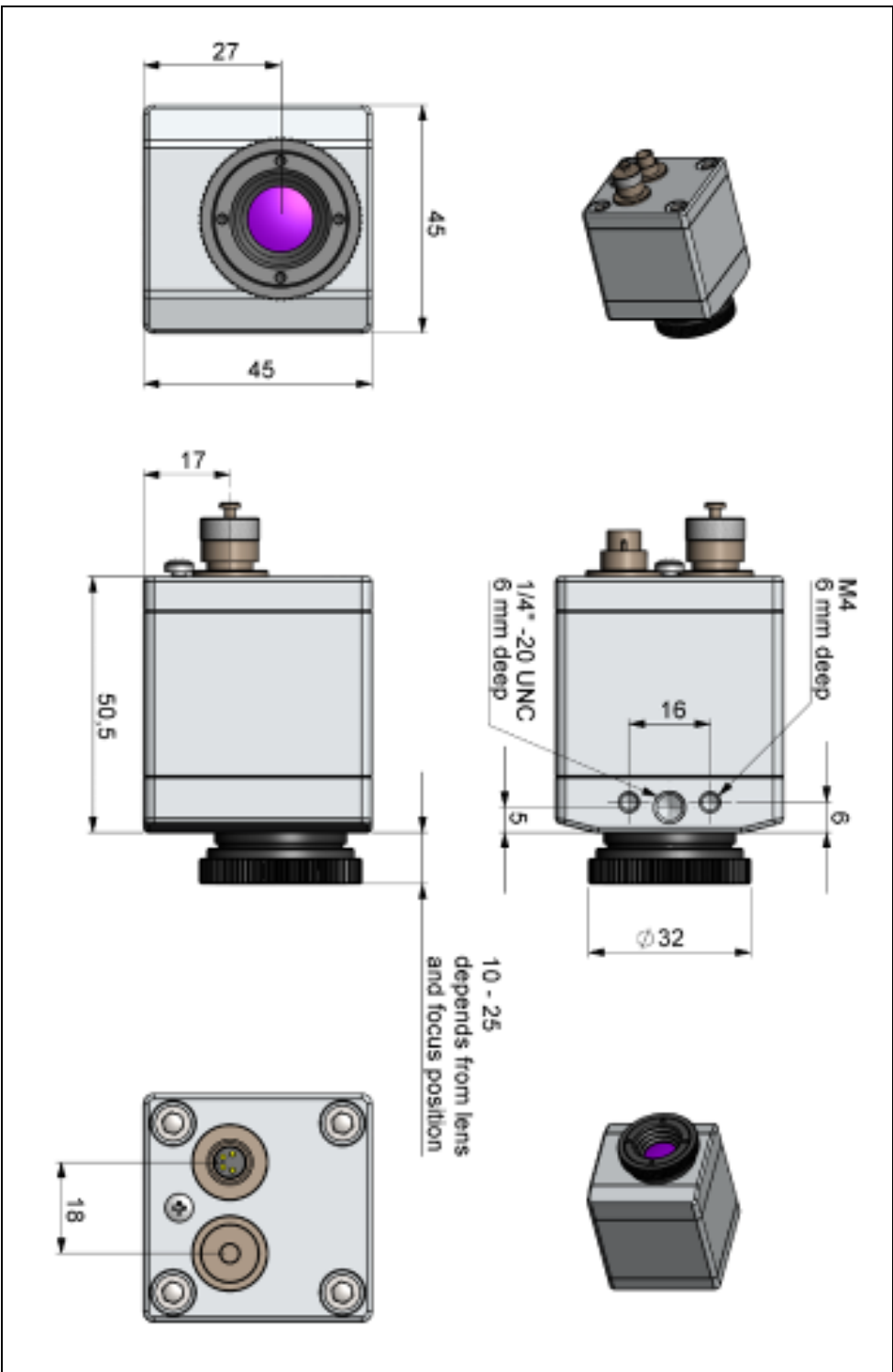


Figure 7: PI 160/ PI 400i/ PI 450i/ PI 450i G7, dimensions [mm]



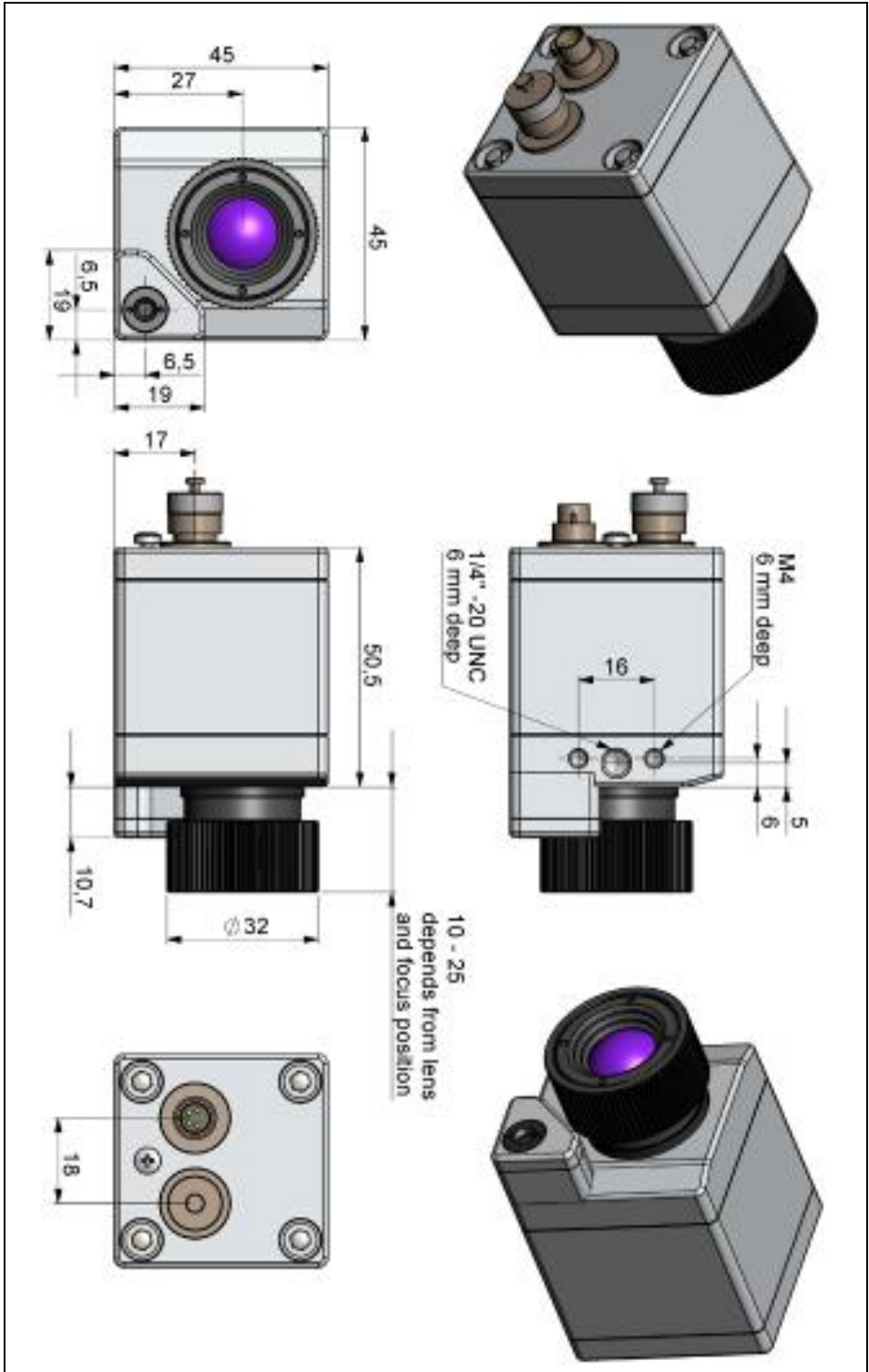


Figure 8: PI 200/ PI 230, dimensions [mm]

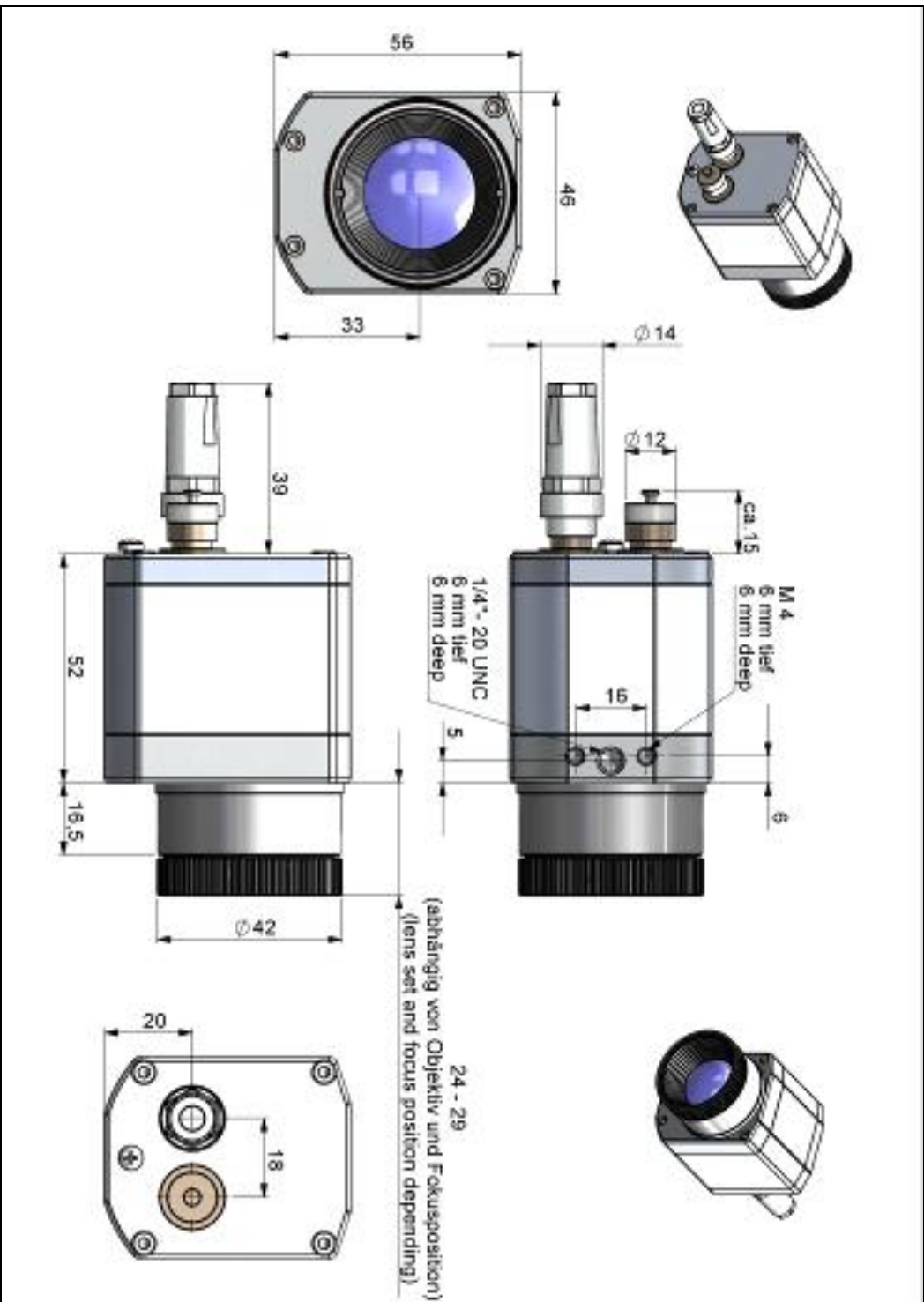


Figure 9: PI 640/ P1 640 G7, optics 29°/33° & 53°/60°, dimensions [mm]

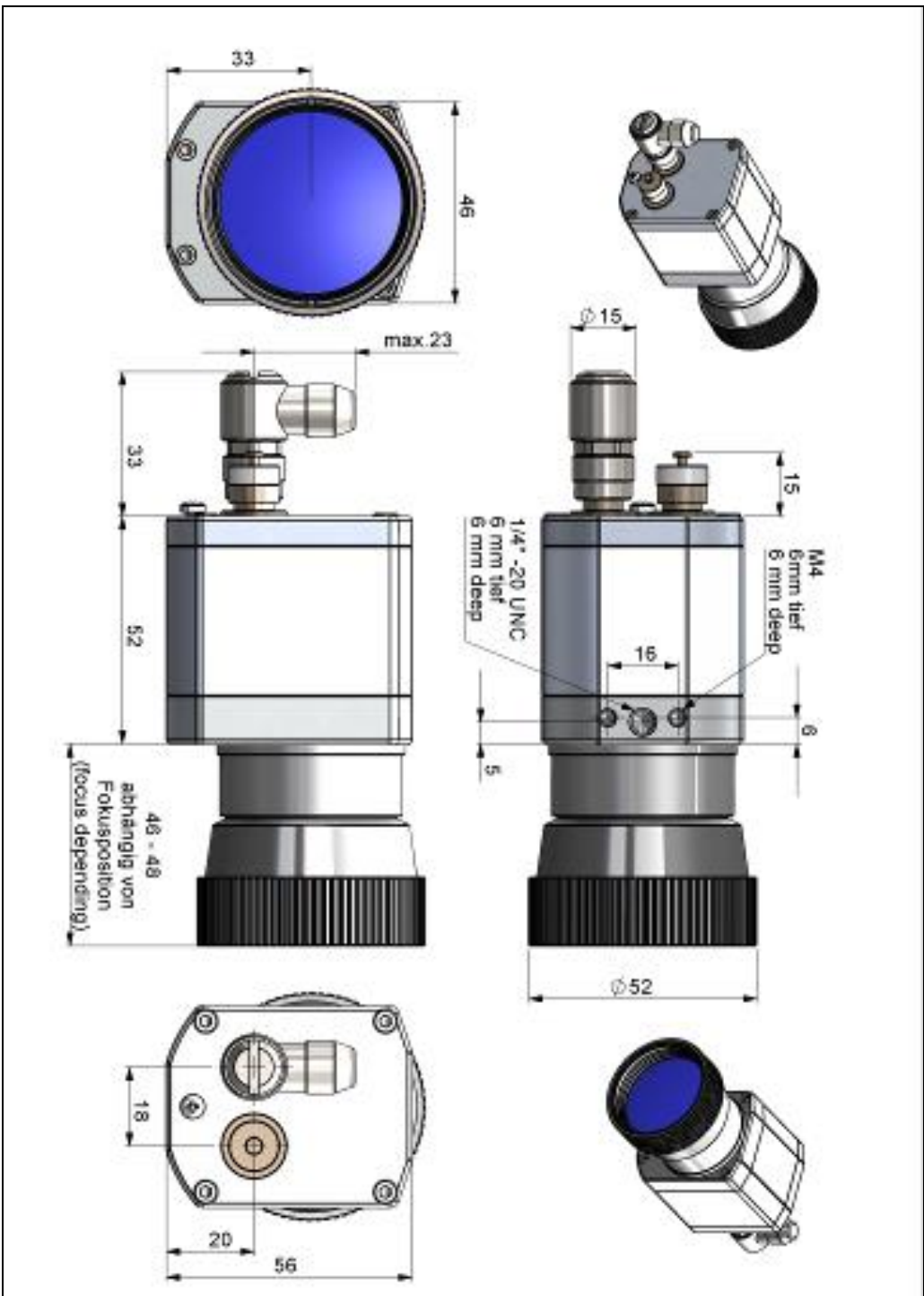


Figure 10: PI 640/ PI 640 G7, optics 13°/15°, dimensions [mm]

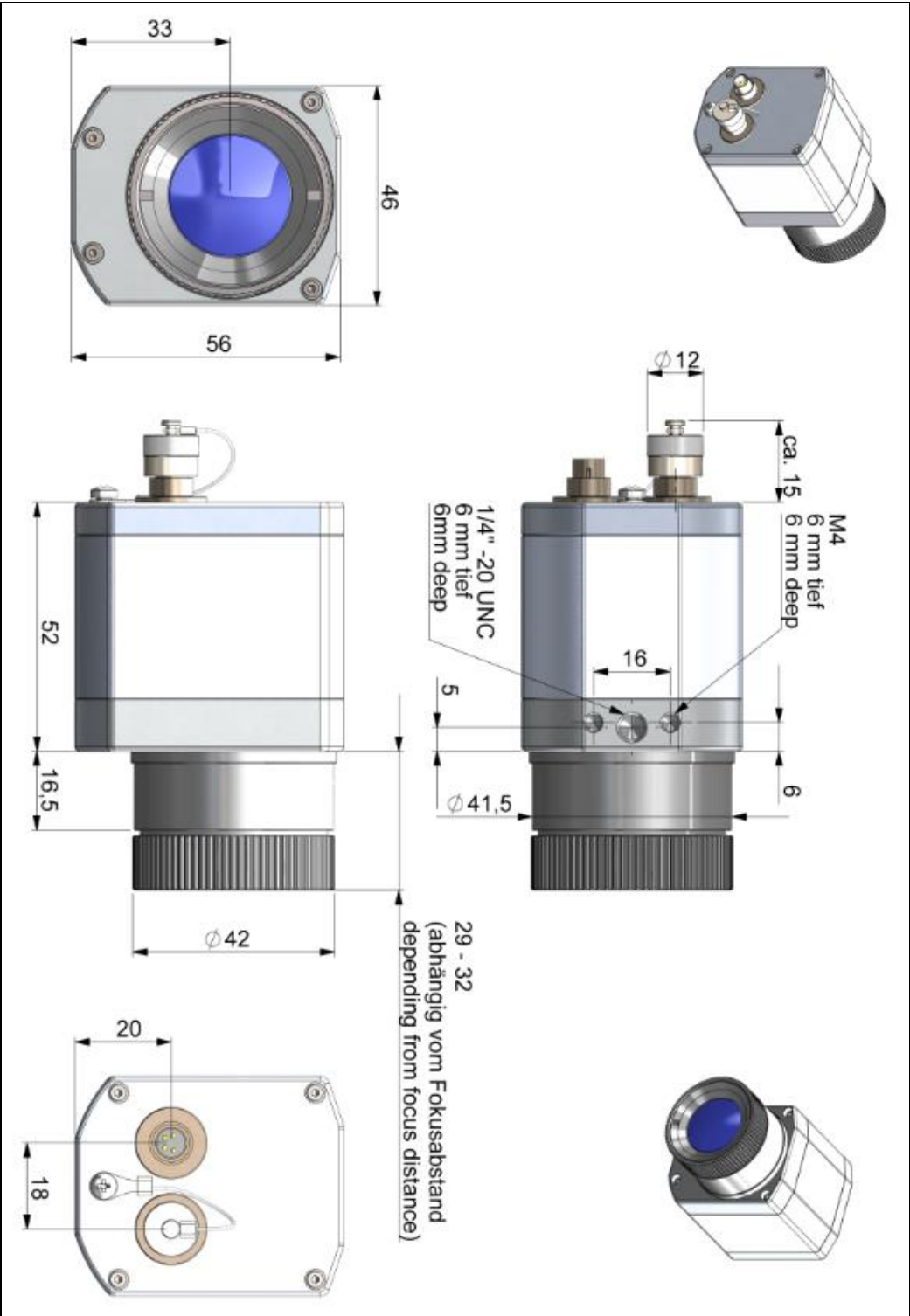


Figure 11 : PI 640/ PI 640 G7, optics 80°/90°, dimensions [mm]

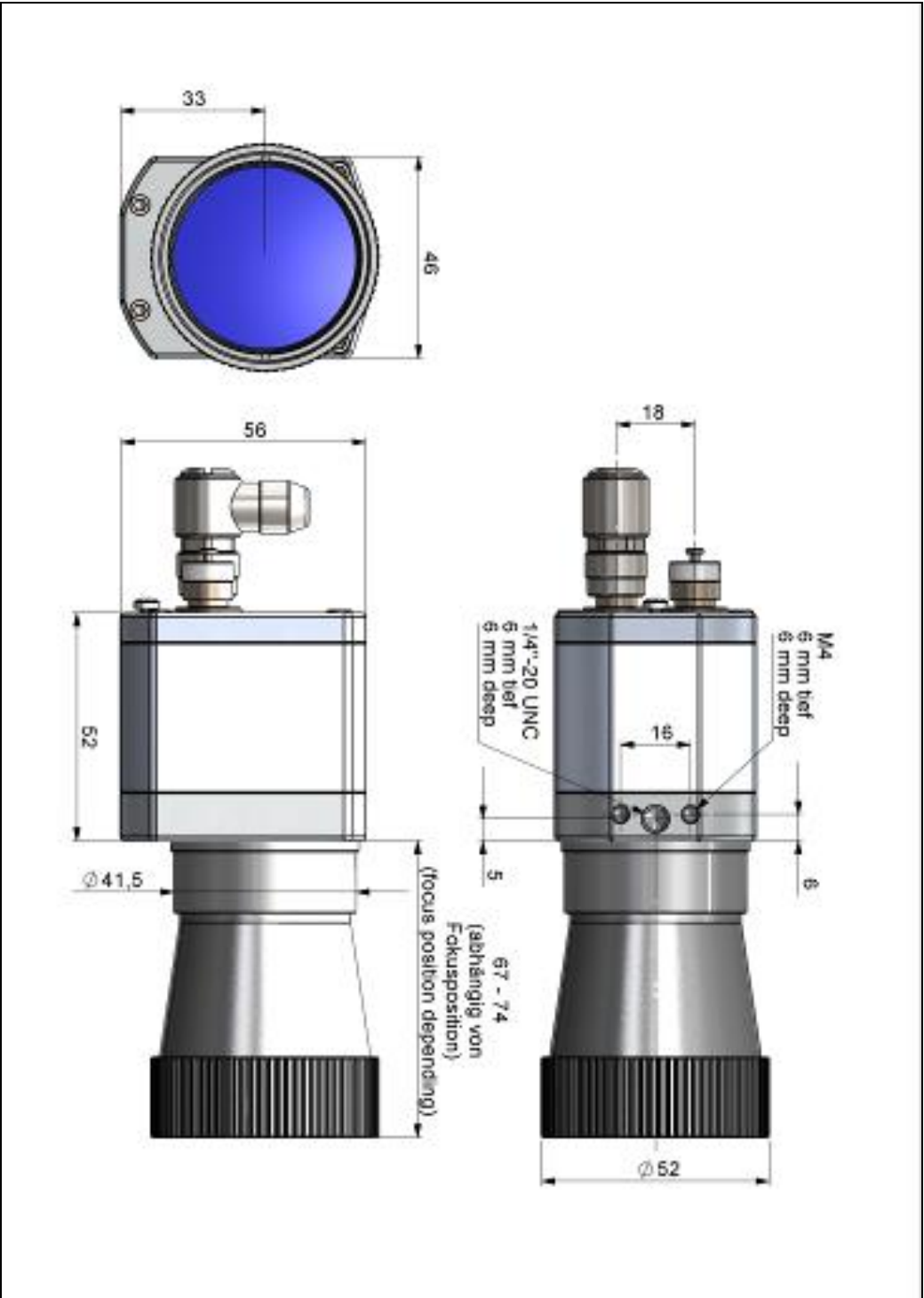


Figure 12: PI 640, microscope optics 10°/12°, dimensions [mm]

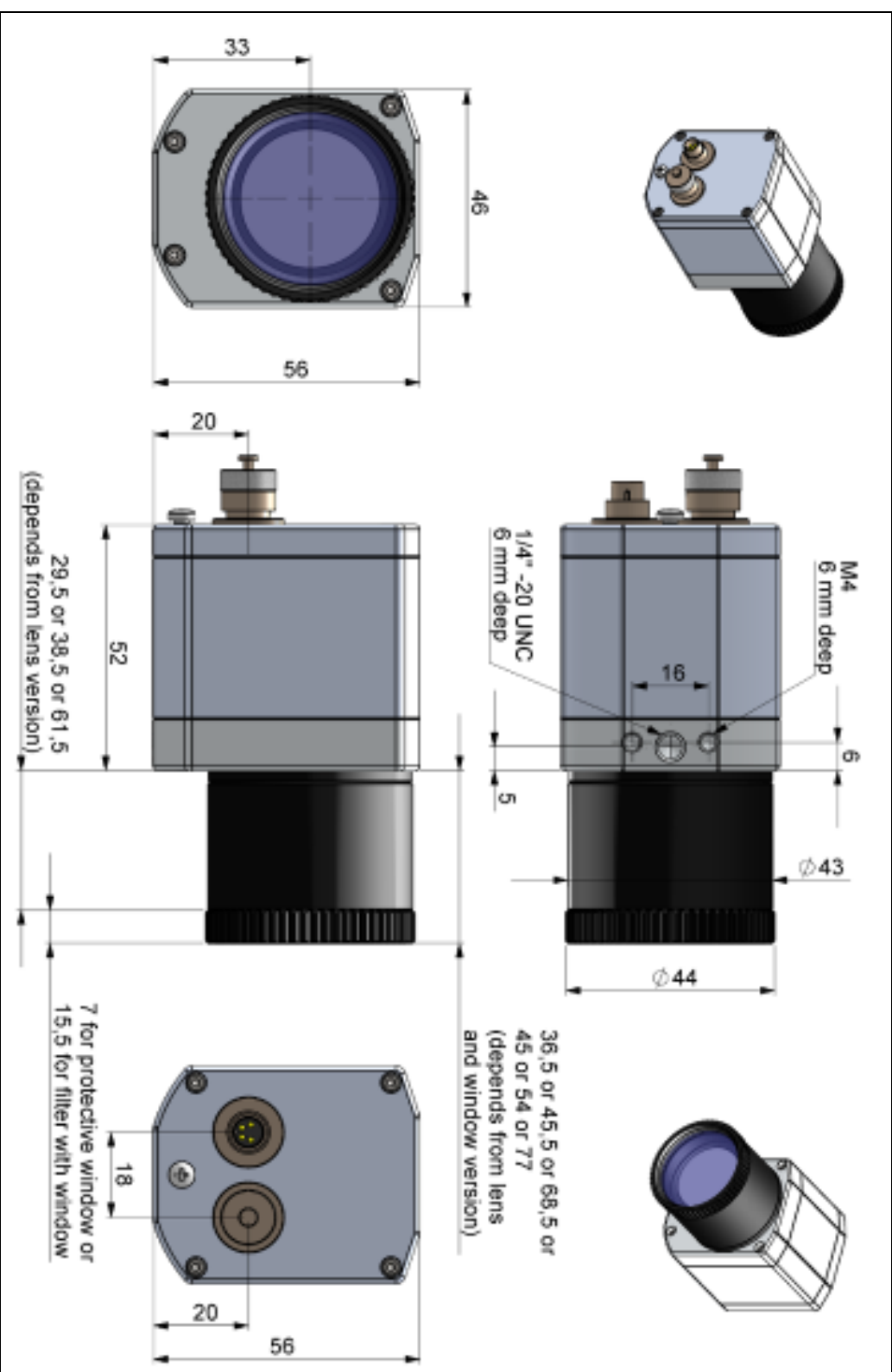


Figure 13: PI 05M/ PI 08M/ PI 1M, dimensions [mm]

### 3.2 Changing the lens

The PI camera is offered with several different lenses<sup>1)</sup> (lenses depending on the camera variant). To change a lens, rotate it as shown below. For the PI 05M, PI 08M and PI 1M, the protective tube must first be turned off (see **Figure 5**).



**Figure 14:** Change lens for PI 160/  
2xx/ 4xx/ 640



**Figure 15:** Change lens for PI 05M/  
08M/ 1M



**Figure 16:** Inserting the lens

To get the best possible measurements when inserting the lens into the camera body, make sure that the label on the lens is screwed in at the same height as the label from the housing (see **Figure 16**).

<sup>1)</sup> An additionally purchased lens for the PI 05M/ 08M/ 1M camera comes with the corresponding protective tube

### 3.3 Fixing the focus of the lens (only for PI 05M/ 08M/ 1M)

With the PI 05M, PI 08M and PI 1M, it is possible to fix the focus of the lens. To do this, unscrew the protective tube of the camera (see [Figure 5](#)). There are three small holes on the lens. Take the three screws that are included and attach them to the three holes. The focus of the lens is now fixed. Alternatively, the two knurled screws supplied can also be used.



**Figure 17:** Lens for PI 05M/ 08M/ 1M



**Figure 18:** Fixing the focus for PI 05M/ 08M/ 1M



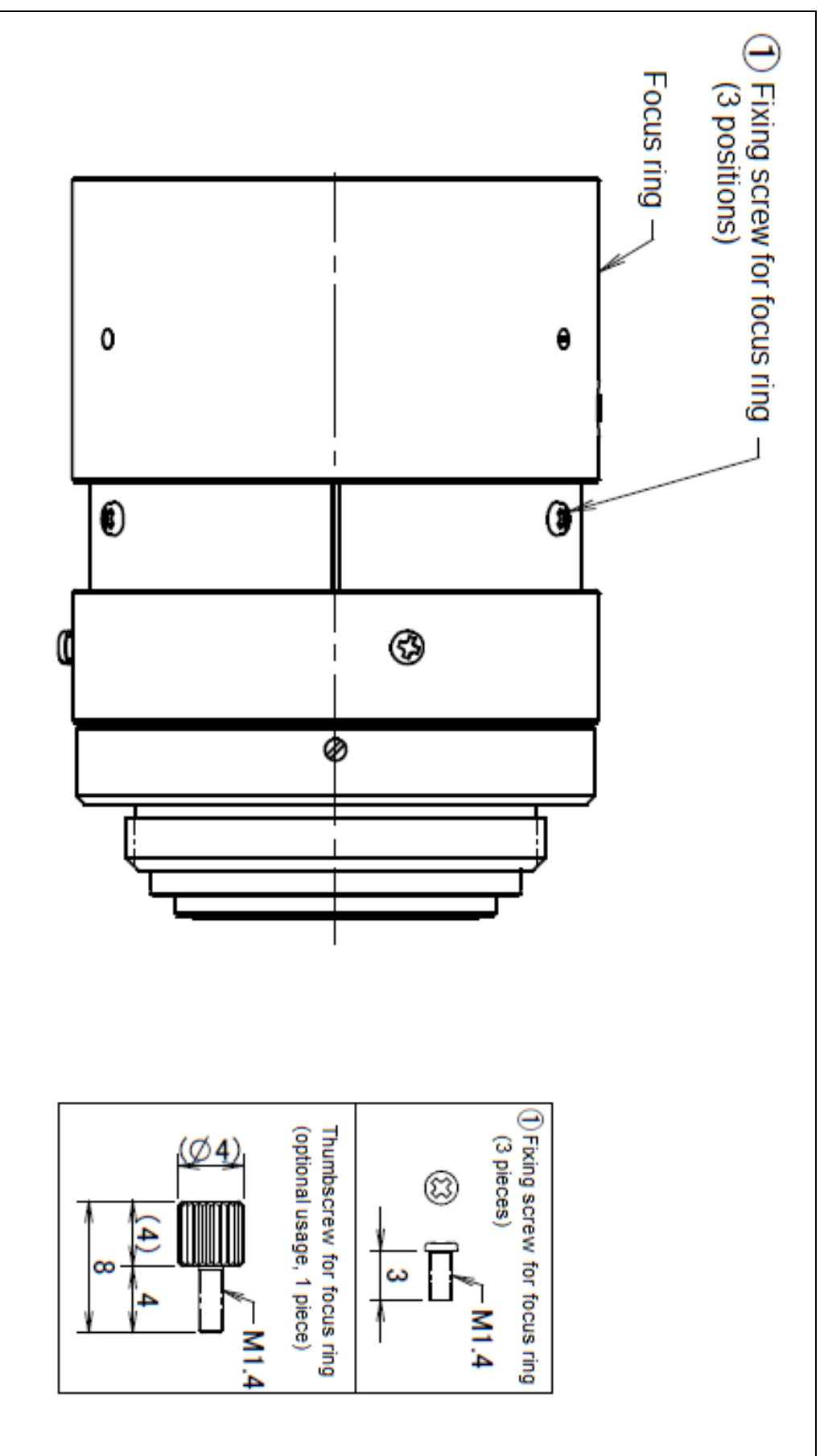
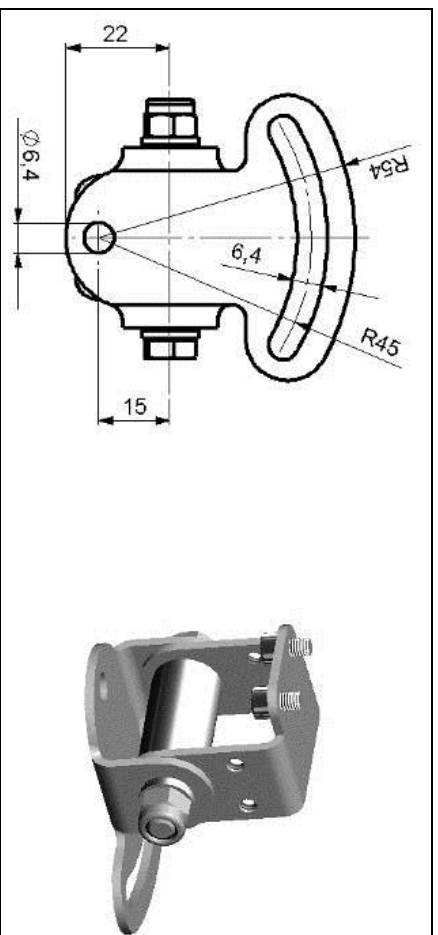
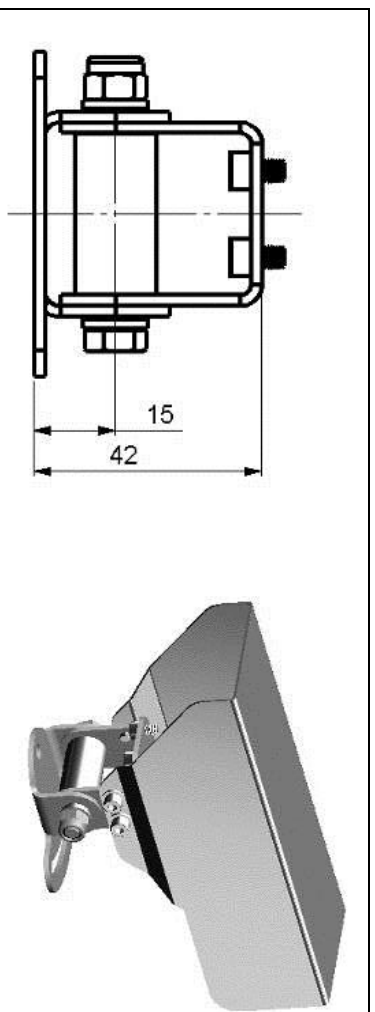


Figure 19: Focusing screws for focus ring

### 3.4 Mounting accessories (optional)



**Figure 20:** Mounting base, stainless steel, adjustable in 2 axes [Part No.: ACPIMB]



**Figure 21:** Protective housing, stainless steel, Incl. Mounting base [Part No.: ACPIPH]

## 3.5 High temperature accessories

### 3.5.1 CoolingJacket



- The IR camera can be used at ambient temperature up to 50 °C (up to 70 °C with P1 450i/ P1 450i G7). For higher temperatures (up to 180 °C) the CoolingJacket is provided.
- For detailed information see installation manual.

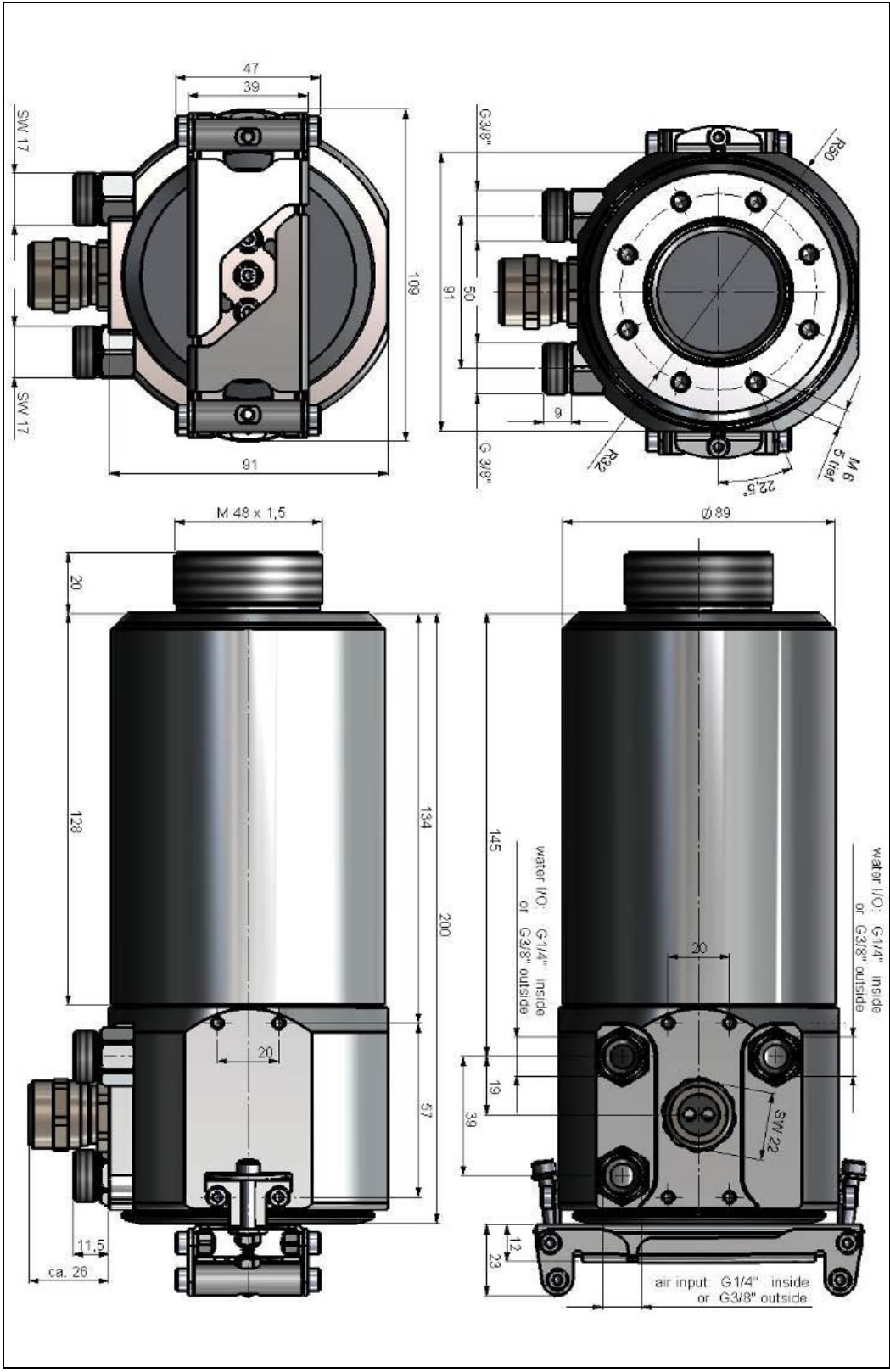
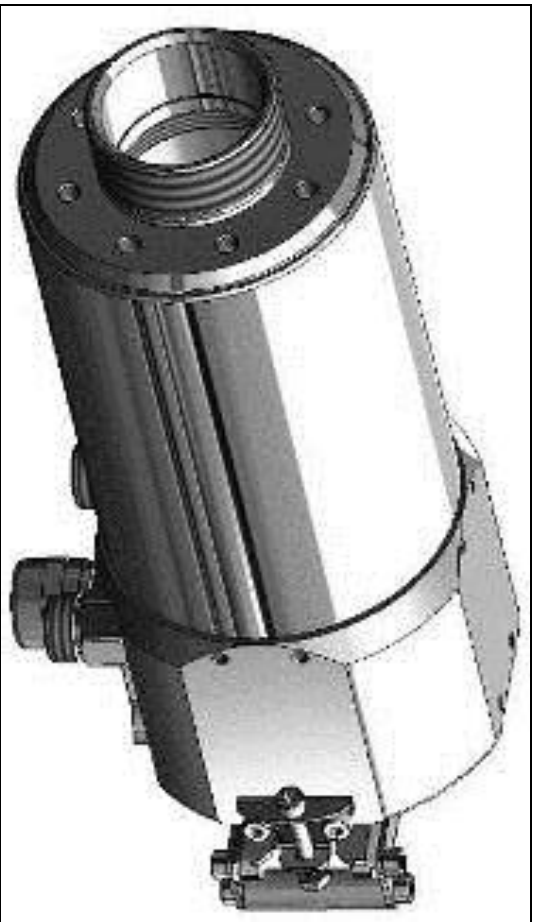


Figure 22: CoolingJacket – Dimensions



**Figure 23:** CoolingJacket for PI [Part No.: ACP1xxxCJ]



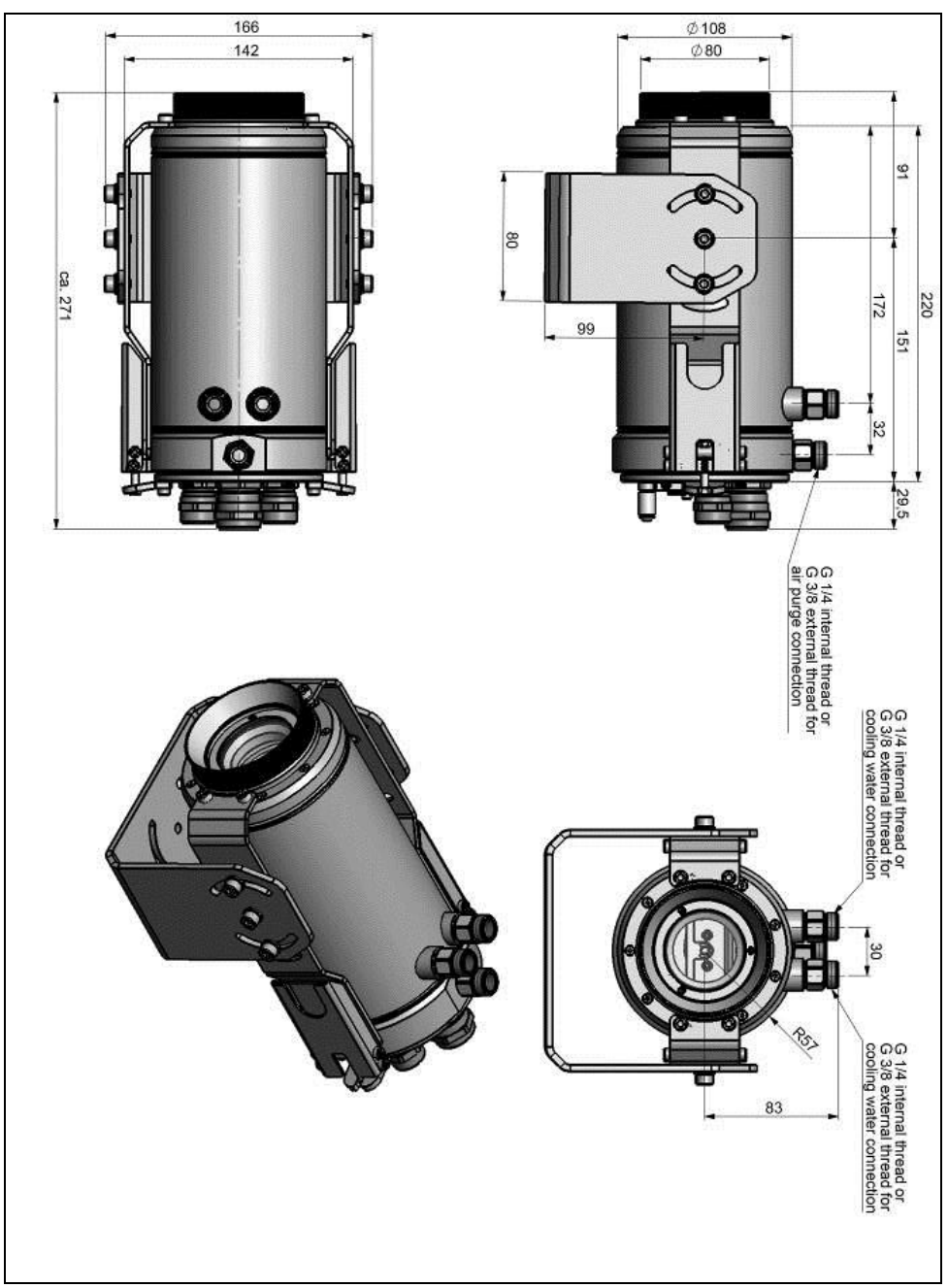
**Figure 24:** CoolingJacket with mounting bracket

### 3.5.2 CoolingJacket Advanced

- The CoolingJacket Advanced is available as Standard Version and Extended Version.
- The IR camera can be used at ambient temperature up to 50 °C (up to 70 °C with PI 450i/PI 450i G7). For higher temperatures (up to 315 °C) the CoolingJacket Advanced is provided.
- For detailed information see installation manual.



### Standard Version



**Figure 25: CoolingJacket Advanced [Part No.: ACPIxxxCJAS], Standard Version - Dimensions**

### Extended Version



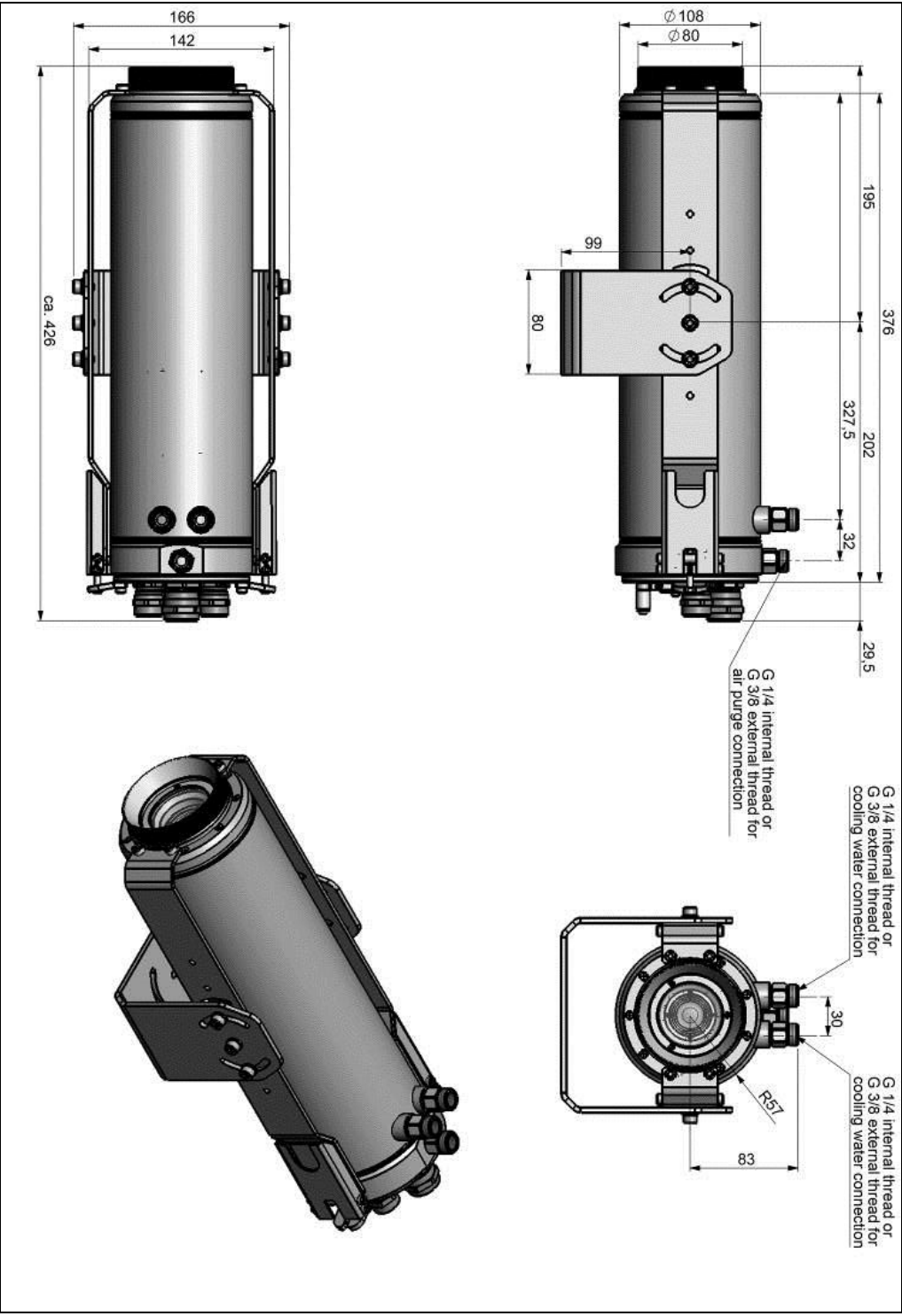
The Extended Version is provided for applications of the PI series with the PI Netbox and industrial PIF or the USB Server Gigabit and industrial PIF. Both PI Netbox and industrial PIF or USB Server Gigabit and industrial PIF can be integrated in the CoolingJacket.



**Figure 26:** Cooling Jacket Advanced (Extended Version) with PI Netbox and industrial PIF



**Figure 27:** Cooling Jacket Advanced (Extended Version) with USB-Server and industrial PIF



**Figure 28:** CoolingJacket Advanced [Part No.: ACPIxxxCAE], Extended Version – Dimensions



### 3.5.3 Laminar air purge for CoolingJacket

Laminar air purge for front mounting of the CoolingJacket Advanced (Standard and Extended). Two different versions are available: One for standard IR camera applications [Part-No.: ACCJAAPLS] and the other for line scanning applications [Part-No.: ACCJAAPLL].

Those two versions are fitting to all focusing units with production date  $\geq 201/2018$ . A protective window (67 x 3 mm) has to be ordered separately. If you like to mount the air purge on an older CJ, the focusing unit should be exchanged to the current version.



### 3.5.4 Outdoor protective housing

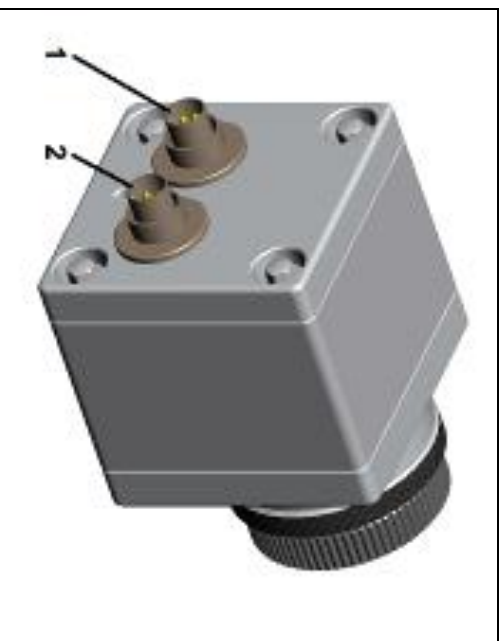
- The infrared camera PI and the USB server can also be used for outdoor applications by using the outdoor protective housing.
- The outdoor protective housing can be used for any PI camera (lenses up to 90° FOV)
- In addition, the industrial PIF can be installed as an accessory without housing
- Also available for CSlaser LT or CTlaser LT
- For detailed information see installation manual.



**Figure 29:** Outdoor protective housing for PI camera, USB server and industrial PIF

## 4 Electrical Installation

At the back side of the PI there are the two connector plugs. The left plug is for the USB cable. The right connector plug is only used for the process interface.



**Figure 30:** Backside of the camera with connectors

- 1** Plug for USB cable
- 2** Plug for PIF cable

## 4.1 Process interface



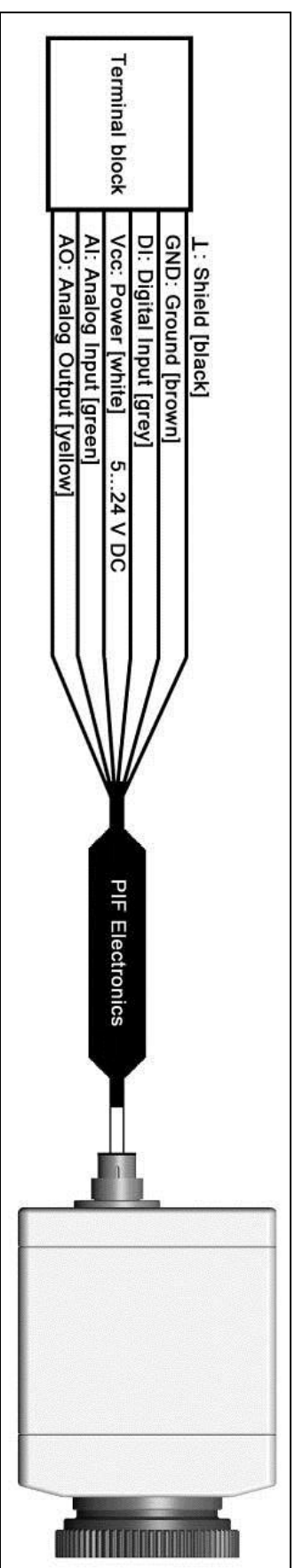
The process interface (electronics within cable as well as industrial interface) must be powered separately (5-24 VDC). Before switching on the power the PIF cable must be connected to the camera.

The PI is equipped with a process interface (cable with integrated electronics and terminal block), which can be programmed via the software as an Analog Input (AI) and Digital Input (DI) in order to control the camera or as an Analog Output (AO) in order to control the process. The signal level is always 0-10 V (DI = 24 V).



The process interface can be activated choosing the following options:

Analog Input (AI):	Emissivity, ambient temperature, reference temperature, uncommitted value, flag control, triggered recording, triggered snapshots, triggered linescanner, triggered event grabber, reset peak-/value-hold, switch temperature range
Analog Output (AO):	Main measure area, measure area, internal temperature, flag status, recording status, line scan status, alarm, frame sync, fail-safe, external communication
Digital Input (DI):	Flag control, triggered snapshots, triggered recording, triggered linescanner, triggered event grabber, reset peak-/value-hold, switch temperature range



**Figure 31 :** Configuration Standard Process Interface (PIF)

The standard process interface provides the following inputs and outputs:

<u>Name</u>	<u>Description</u>	<u>max range<sup>1)</sup>/ status</u>
AI	Analog input	0-10 V <sup>2)</sup>
DI	Digital input (active-low = 0...0,6 V)	24 V
AO	Analog output Alarm output	0-10 V 0/ 10 V

<sup>1)</sup> Depending on supply voltage; for 0-10 V on the AO the PIF has to be powered with min. 12 V.

<sup>2)</sup> The AI is designed for max. 24 V, the voltage level above 10 V is not interpreted

#### 4.1.1 PIN allocation

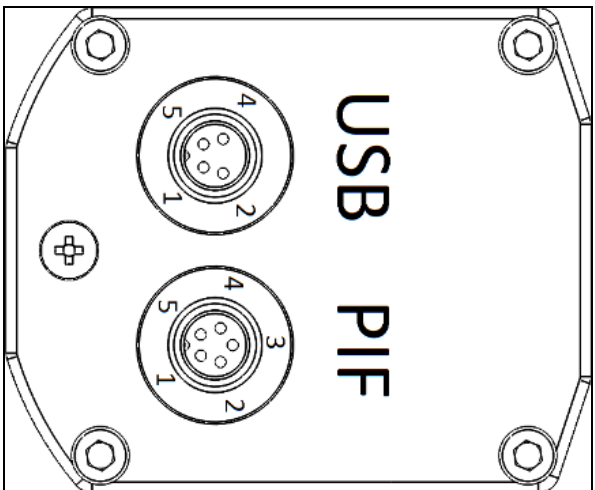


Figure 32: Rear side of the camera

USB	PIF
1 VCC	1 INT
2 GND	2 SDA (I <sup>2</sup> C)
4 D -	3 SCL (I <sup>2</sup> C)
5 D +	4 DGND
	5 3.3 V (Out)

If the process interface of the camera is directly connected to external hardware <sup>1)</sup> (without using the supplied PIF cable) an activation of the field „Support proprietary PIF cable” in the menu **Tools/ Configuration/ Device (PIF)** in the PIX Connect software is necessary.

A screenshot of a software menu. The text 'Support proprietary PIF cable' is highlighted in blue, indicating it is the selected option. There is a small downward-pointing arrow icon to the left of the text.

**Figure 33:** Support proprietary PIF cable



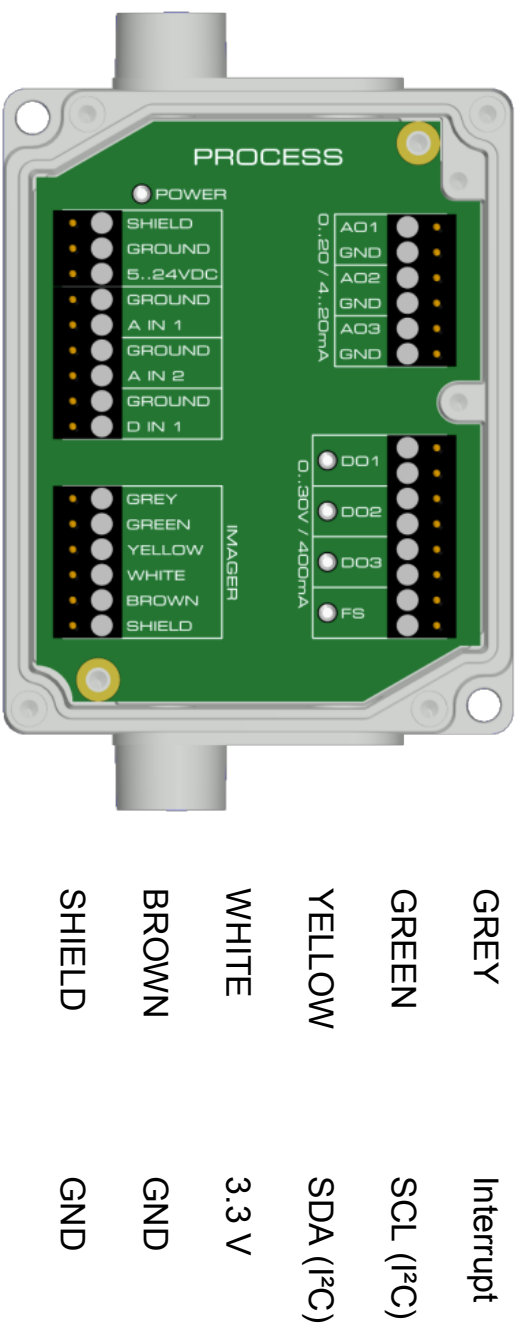
Consider that the input of the PIF is not protected if there is a direct PIF connection!  
A voltage > 3 V on the INT pin will destroy the device!

<sup>1)</sup> We recommend using only a switching contact between INT and DGND as external hardware (button, relay).

#### 4.1.2 Industrial Process Interface (optional)

For use in industrial environment the industrial process interface with 500 V AC<sub>RMS</sub> isolation voltage between PI and process is available (connection box with IP65, 5 m, 10 m or 20 m standard or high temperature cable for camera connection, terminal for process integration). [▶ **Appendix F – Wiring diagrams PIF**]

##### Pin assignment PIF cable (industrial process interface)



**Figure 34:** Connections of the industrial Process Interface



The industrial process interface provides the following inputs and outputs:

<u>Name</u>	<u>Description</u>	<u>max range<sup>1)</sup>/ status</u>
A IN 1 / 2	Analog input 1 and 2	0-10 V <sup>2)</sup>
D IN 1	Digital input (active-low = 0...0,6 V)	24 V
AO1 / 2 / 3	Analog output 1, 2 and 3 Alarm output 1, 2 and 3	0/4-20 mA
DO1 / 2/ 3	Relay output 1, 2 and 3 <sup>3)</sup>	open/ closed (red LED on) / 0...30 V, 400 mA
FS	Fail-safe relay	open/ closed (green LED on) / 0...30 V, 400 mA

- <sup>1)</sup> depending on supply voltage; for 0-20 mA on the AO the PIF has to be powered with min. 5V < (1.5 + working resistance \* 0.021) < 24 V; Example:  $R_{Load} = 500 \text{ ohm} \rightarrow U_{min} = 1.5 + 500 * 0.021 = 12 \text{ V}$ ,  $R_{Load} = 100 \text{ ohm} \rightarrow U_{min} = 1.5 + 100 * 0.021 = 3.6 \text{ V} \rightarrow \text{min. } 5 \text{ V}$   
<sup>2)</sup> the AI is designed for max. 24 V, the voltage level above 10 V is not interpreted  
<sup>3)</sup> active if AO1, 2 or 3 is/ are programmed as alarm output



The alarm output can be configured as a threshold between **0-4 mA** for **no alarm** and between **10-20 mA** as **alarm**. For values outside the respective range, the relay does not switch on the DO.

The process interface has an integrated **fail-safe mode**. This allows to control conditions like interruption of cables, shut-down of the software etc. and to give out these conditions as an alarm. The time constant of the fail-safe is 1.5 seconds.

Controlled conditions on camera and software	Standard Process interface ACPIPIF	Industrial Process interface ACPIPIFMACBxx
Interruption USB cable to camera	✓	✓
Interruption data cable camera - PIF	✓	✓
Interruption power supply PIF	✓	✓
Shut-down of PIX Connect software	✓	✓
Crash of PIX Connect software	-	✓
Fail-Safe-Output	0 V at analog output (AO)	open contact (fail-safe relay) / green LED off

## 4.2 Example for a Fail-Safe monitoring of the PI with a PLC

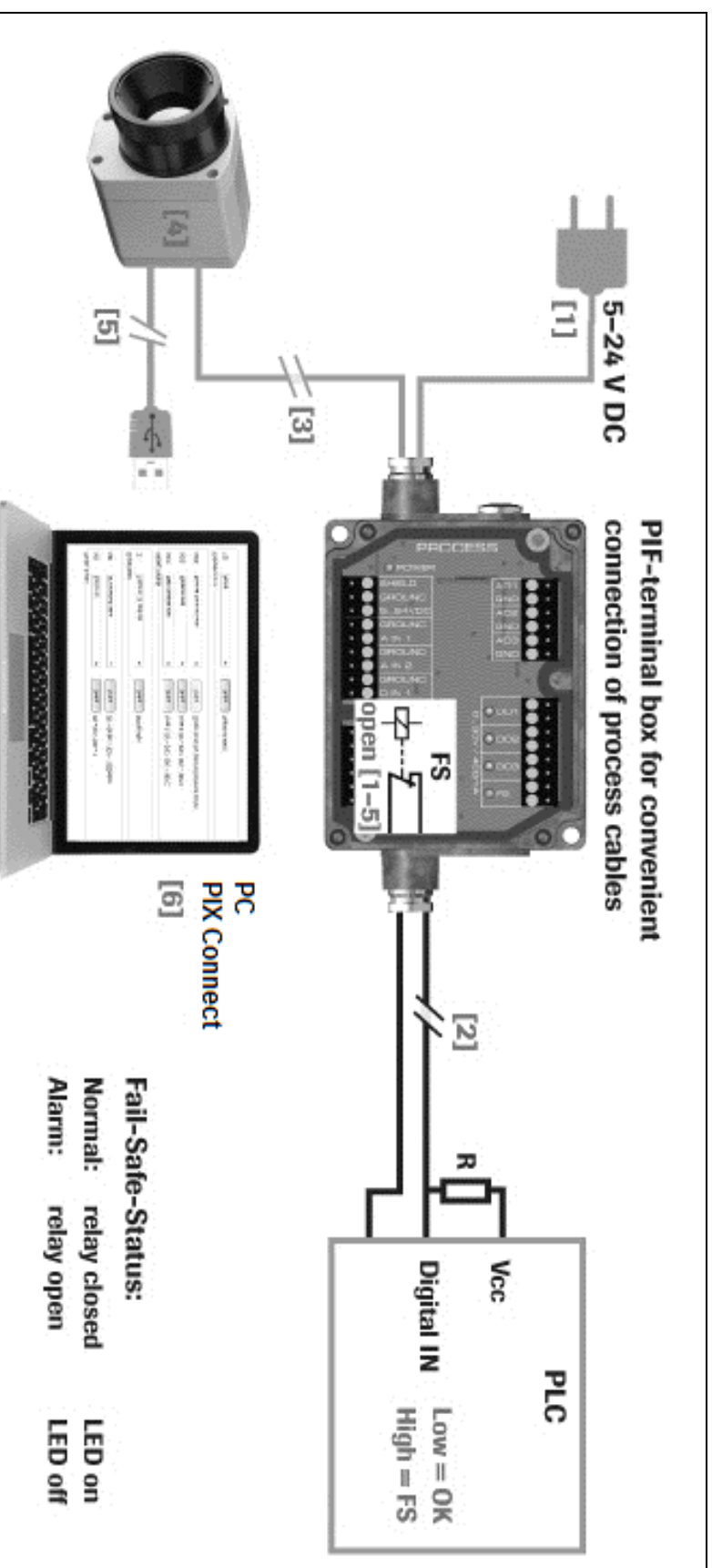
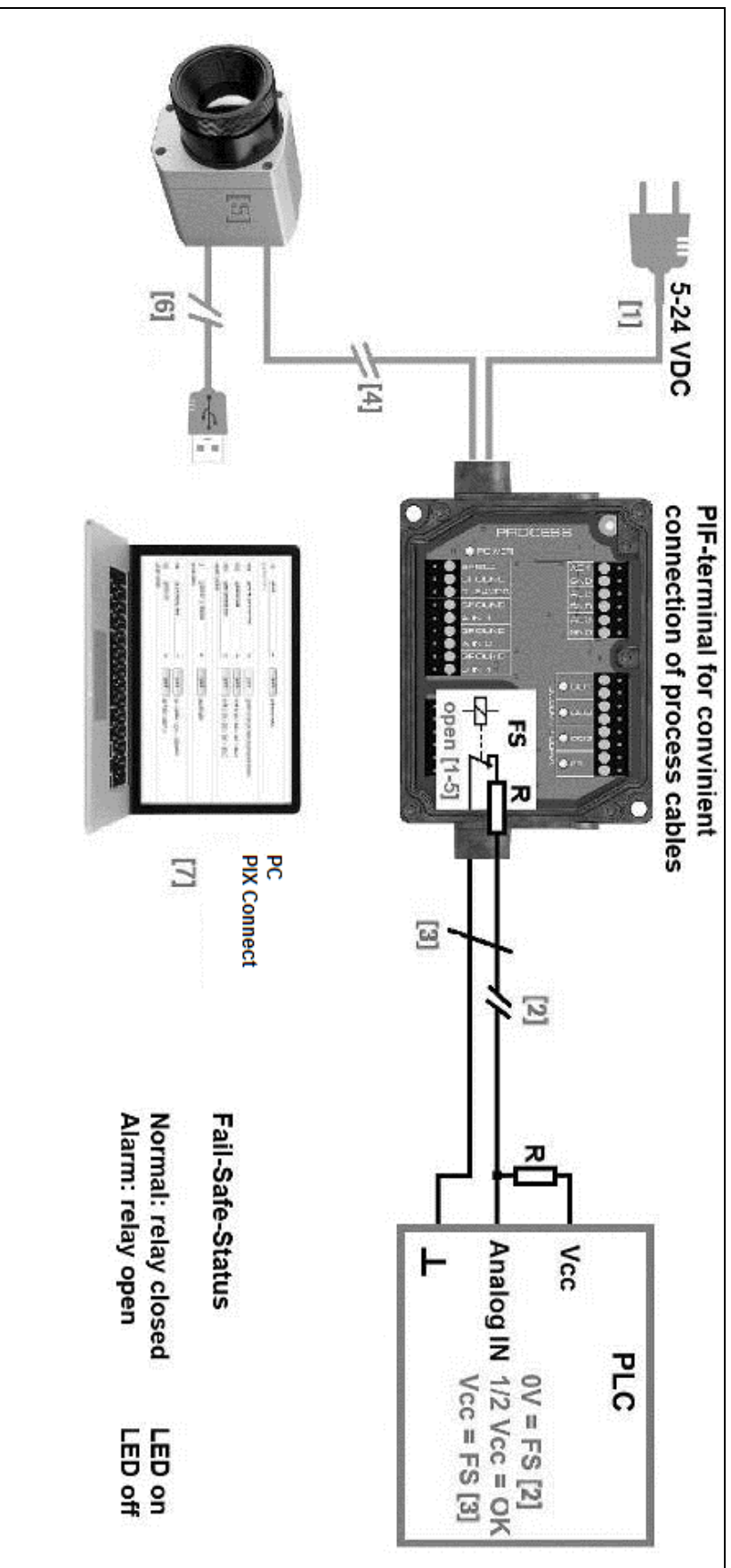


Figure 35: Fail-Safe monitoring states

### Fail-Safe monitoring states

- |     |                                |     |   |
|-----|--------------------------------|-----|---|
| [1] | Breakdown of PIF power supply  | [4] | Malfunction of PI                                       |
| [2] | Cable break of fail-safe cable | [5] | Breakdown of PI power supply/ Interruption of USB cable |
| [3] | Interruption of cable PI-PIF   | [6] | Malfunction of PIX Connect software                     |



**Figure 36:** Fail-Safe monitoring states

### Fail-Safe monitoring states

- |     |                                  |     |   |
|-----|----------------------------------|-----|---|
| [1] | Breakdown of PIF power supply    | [5] | Malfunction of PI                                       |
| [2] | Cable break of fail-safe cable   | [6] | Breakdown of PI power supply/ Interruption of USB cable |
| [3] | Short circuit of fail-safe cable | [7] | Malfunction of PIX Connect software                     |
| [4] | Interruption of cable PI-PIF     |     |   |

### 4.3 USB cable extension

The maximum USB cable length is 20 m. For greater distances between PI and computer or for stand-alone solutions the optional PI NetBox or the USB Server Gigabit is provided:

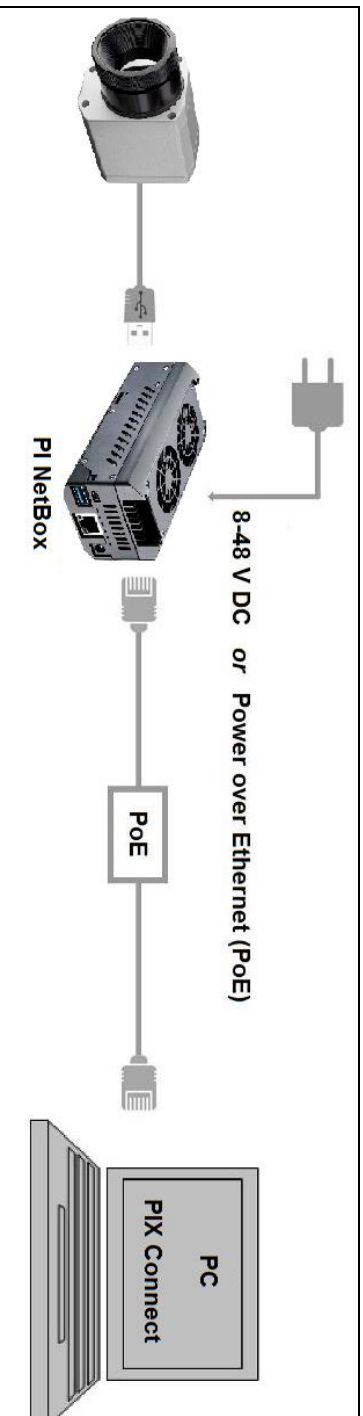


Figure 37: Ethernet direct communication with PI Netbox

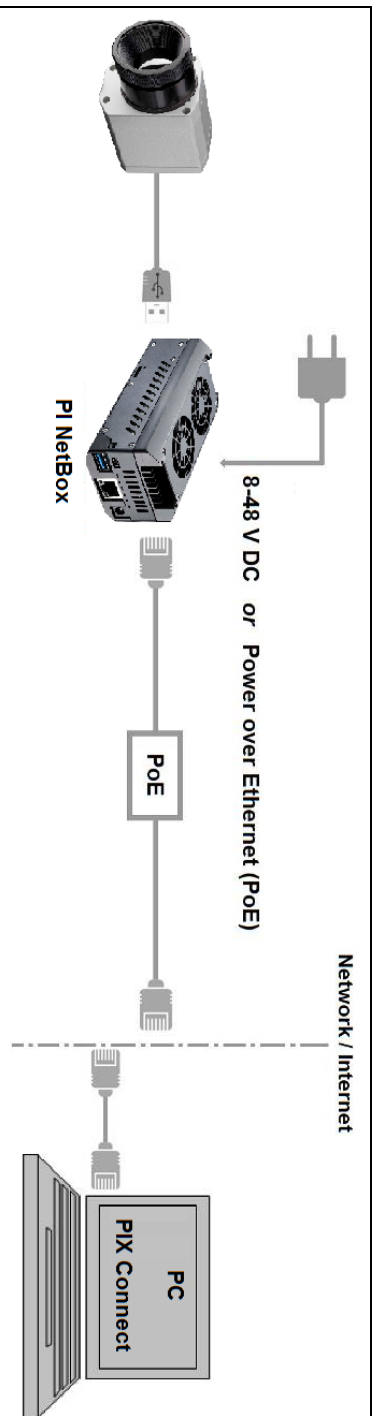


Figure 38: Ethernet network communication with PI Netbox

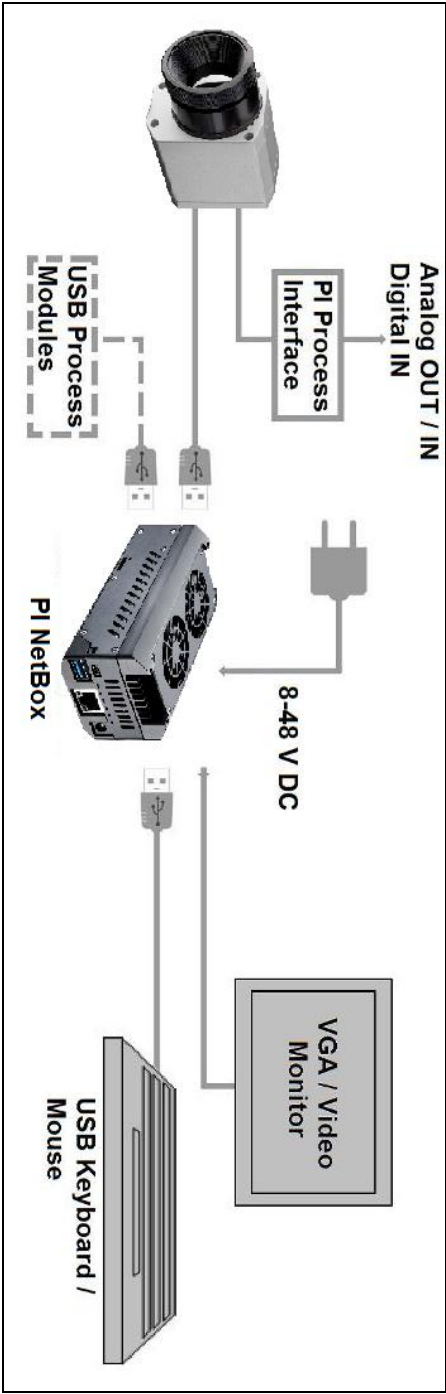


Figure 39: Stand-Alone operation with PI NetBox

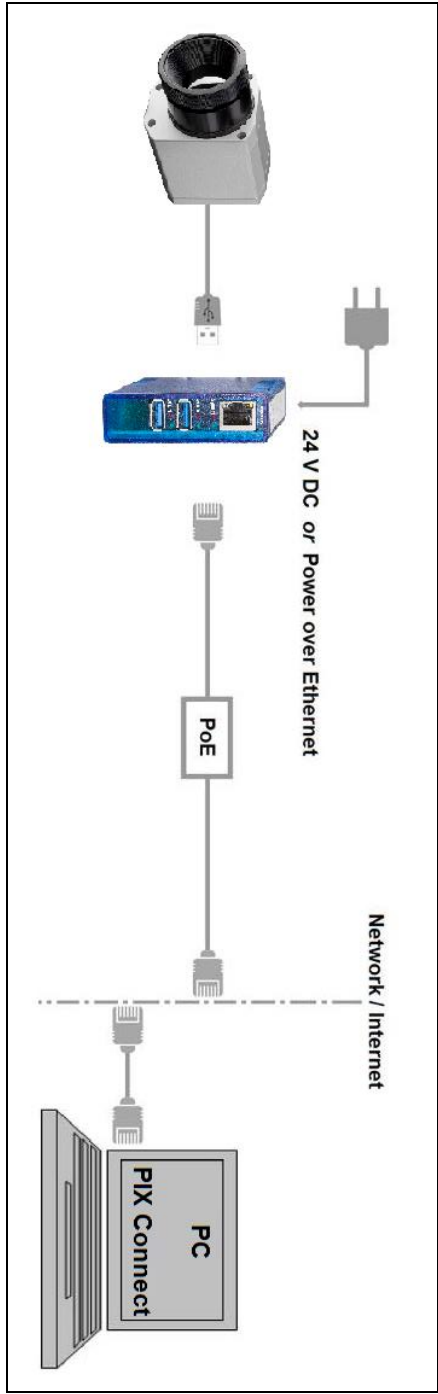
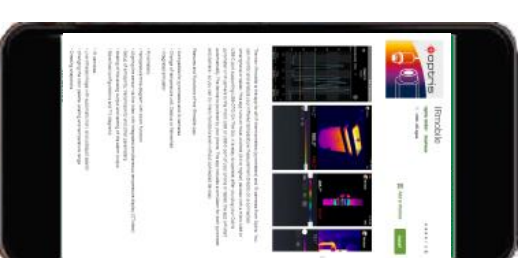


Figure 40: USB Server Gigabit

## 5 IRmobile App

The PI imagers have a direct connection to an Android smartphone or tablet. All you have to do is download the IRmobile app for free in the Google Play Store. This can also be done via the QR code. An IRmobile app connector is recommended for connection to the device (**Part-No.: ACP111AC**).



With IRmobile you can monitor and analyze your infrared temperature measurement directly on a connected smartphone or tablet. All you need is an Optris infrared camera. This app runs on most Android (5 or higher) devices with a micro USB port or USB-C port that supports USB OTG (On The Go). The app is easy to use: After you have connected your camera to the micro USB port or USB-C port of your smartphone or tablet,

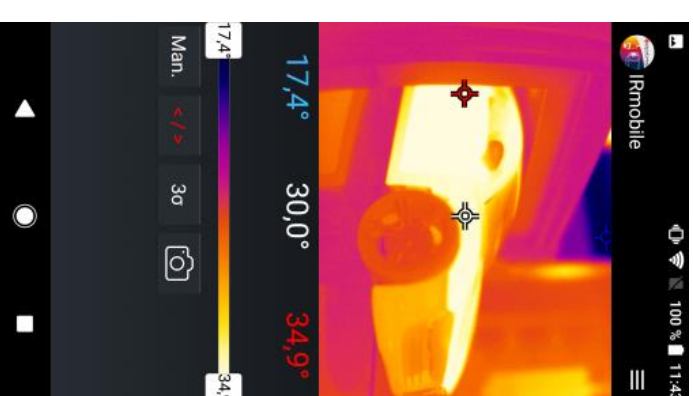
the app launches automatically. The calibration files are automatically downloaded from the internet. The device is powered by your smartphone. A hotspot indicates the hottest pixel in the image and a coldspot the coldest pixel in the image.

### **IRmobile app features:**

- Live infrared image with automatic hot-/ and coldspot search
- Changing the color palette, scaling and temperature range
- Change of temperature unit: Celsius or Fahrenheit
- Setting of temperature range scaling (Manual, Min/Max, 3 sigma)
- Creating a snapshot
- Integrated simulator

### **IRmobile supported for:**

- Optiris IR cameras: PI and XI series
- Optiris pyrometers: Compact series, high performance series and video thermometers
- For Android 5 (or higher) devices with a micro USB port or USB C port that supports USB OTG (On The Go)





## 6 Software PIX Connect

### Minimum system requirements:

- Windows 7, Windows 8, Windows 10
- USB interface
- Hard disc with at least 30 MByte of free space
- At least 128 MByte RAM
- CD-ROM drive



A detailed description is provided in the software manual on the software CD. See also **Help** menu in the PIX Connect software (**Help** → **Documentation**).

## 6.1 Installation and initial start-up



- All drivers are booted via Windows OS automatically. A driver installation is not necessary.
- By default the program starts automatically in the installed language.

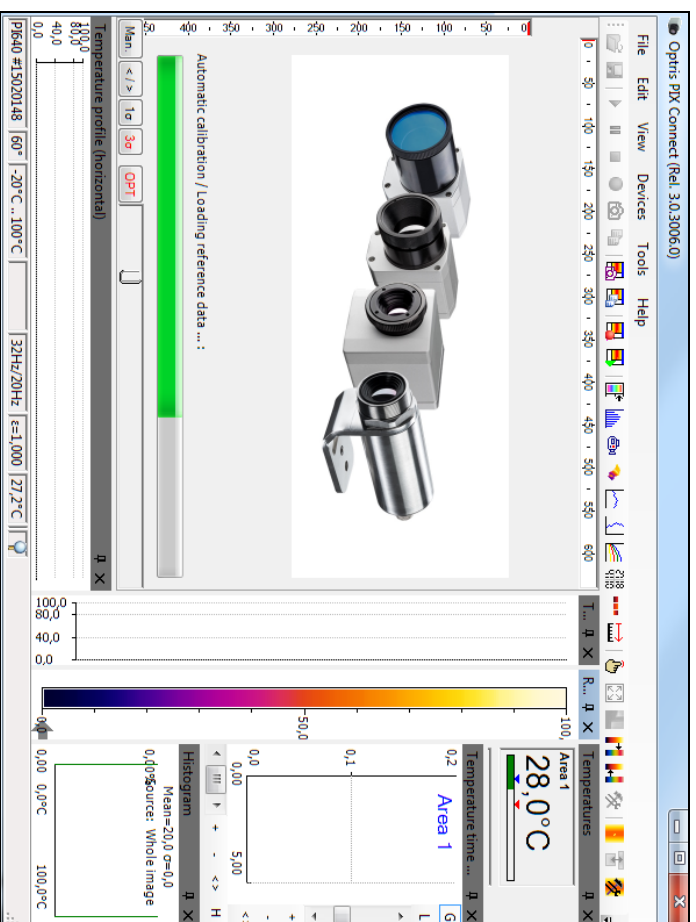
1. Insert the installation CD into the according drive on your computer. If the **autorun** option is activated the installation wizard will start automatically.
2. Otherwise start **setup.exe** from the CD-ROM. Follow the instructions of the wizard until the installation is finished.

The installation wizard places a launch icon on the desktop and in the start menu:  
**Start\Programs\Opttris GmbH\PIX Connect**

3. To connect the camera to the PC, plug the USB cable to the camera first. Afterwards connect it with the PC (to disconnect the camera and the computer remove the USB cable from the computer first and then disconnect it from the camera).
4. Start the software.

At the initial start the software asks for the calibrations files which are available via internet or on the CD.

5. Install the calibration files at first start of the software.



**Figure 41 :** Calibration data transfer

After the calibration files have been installed the live image from the camera is shown inside a window on your PC screen.

6. Choose the desired language in the menu **Tools** → **Language**.
7. Adjust the focus of the image by turning the exterior lens ring at the camera.

## 6.2 Software window

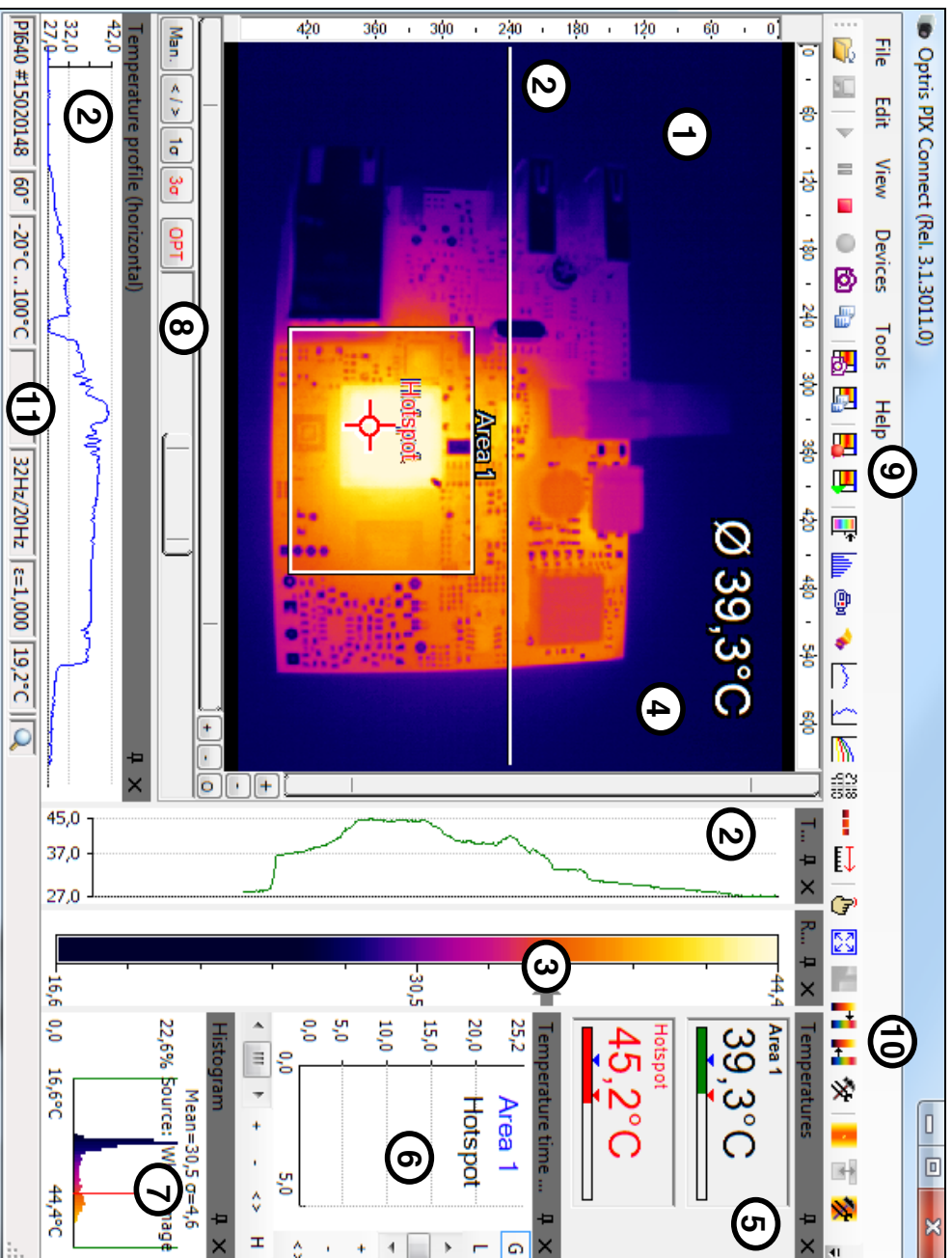


Figure 42: Software window

- 1 IR image from the camera
- 2 Temperature profile: Shows the temperatures along max. 2 lines at any size and position in the image.
- 3 Reference bar: Shows the scaling of temperature within the color palette.
- 4 Temperature of measure area: Analyses the temperature according to the selected shape, e.g. average temperature of the rectangle. The value is shown inside the IR image and the control displays.
- 5 Control displays: Displays all temperature values in the defined measure areas like Cold Spots, Hot Spots, temperature at cursor, internal temperature and chip temperature.  
Alarm settings: Bar showing the defined temperature thresholds for low alarm value (blue arrow) and high alarm value (red arrow). The color of numbers within control displays changes to **red** (when temp. above the high alarm value) and to **blue** (when temp. below the low alarm value).
- 6 Temperature time diagram: Shows the temperature curves over time for selectable region of interest (ROI)
- 7 Histogram: Shows the statistic distribution of single temperature values.
- 8 Automatic / manual scaling of the palette (displayed temperature range): Man.,  $\leq / >$  (min, max), **1 $\sigma$**  : 1 Sigma, **3 $\sigma$**  : 3 Sigma, OPT: Palette optimization
- 9 Menu and Toolbar (Icons)
- 10 Icon enabling switching between color palettes
- 11 Status bar: Serial number, optic, temperature range, cursor position, device framerate/ display framerate, emissivity, ambient temperature, flag status

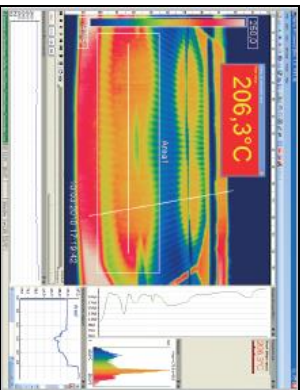
## 6.2.1 Basis features of the software PIX Connect

### Extensive infrared camera software

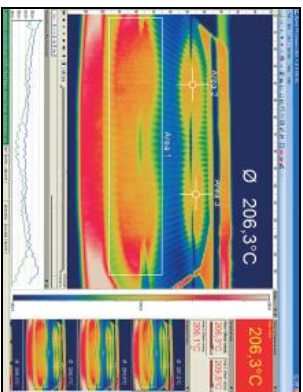


- No restrictions in licensing
- Modern software with intuitive user interface
- Remote control of camera via software
- Display of multiple camera images in different windows
- Compatible with Windows 7, 8 and 10

### High level of individualization for customer specific display



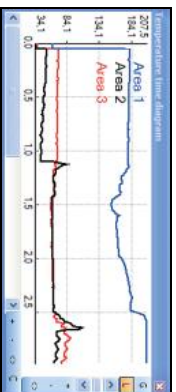
- Various language option including a translation tool
- Temperature display in °C or °F
- Different layout options for an individual setup (arrangement of windows, toolbar)
- Range of individual measurement parameter fitting for each application
- Adaption of thermal image (mirror, rotate)
- Individual start options (full screen, hidden, etc.)



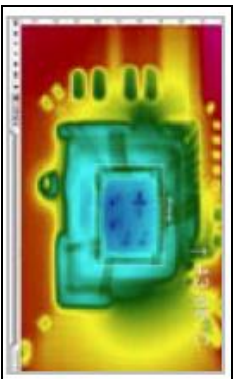
- ### Video recording and snapshot function (IR or BI-SPECTRAL)
- Recording of video sequences and detailed frames for further analysis or documentation
  - BI-SPECTRAL video analysis (IR and VIS) in order to highlight critical temperatures
  - Adjustment of recording frequency to reduce data volume
  - Display of snapshot history for immediate analysis

### Extensive online and offline data analysis

- Analysis supported by measurement fields, hot and cold spot searching, image subtraction
- Real time temperature information within main window as digital or graphic display (line profile, temperature time diagram)
- Slow motion repeat of radiometric files and analysis without camera being connected
- Editing of sequences such as cutting and saving of individual images
- Various color palettes to highlight thermal contrasts



## Automatic process control



- Individual setup of alarm levels depending on the process
- BI-SPECTRAL process monitoring (IR and VIS) for easy orientation at point of measurement
- Definition of visual or acoustic alarms and analog data output
- Analog and digital signal input (process parameter)
- External communication of software via COM-Ports and DLL
- Adjustment of thermal image via reference values

## Temperature data analysis and documentation

 A screenshot of a software interface displaying a grid of numerical data. The grid is organized into columns and rows, with various numerical values ranging from 0 to 1000. The interface includes a title bar and a menu bar.

- Triggered data collection
- Radiometric video sequences (\*.ravi) radiometric snapshots (\*.tiff)
- Text files including temp. information for analysis in Excel (\*.csv, \*.dat)
- Data with color information for standard programs such as Photoshop or Windows Media Player (\*.wmv, \*.tiff)
- Data transfer in real time to other software programs DLL or COM-Port interfaces



## 7 Basics of Infrared Thermometry

Depending on the temperature each object emits a certain amount of infrared radiation. A change in the temperature of the object is accompanied by a change in the intensity of the radiation.

Searching for new optical material William Herschel by chance found the infrared radiation in 1800.

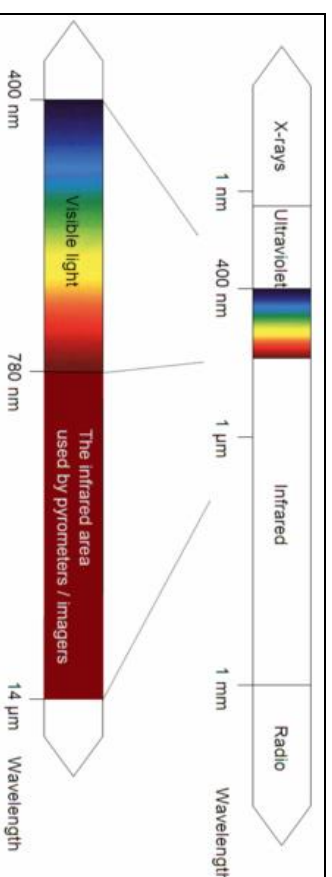


**Figure 43:** William Herschel (1738-1822)

He blackened the peak of a sensitive mercury thermometer. This thermometer, a glass prism that led sun rays onto a table made his measuring arrangement. With this, he tested the heating of different colors of the spectrum. Slowly moving the peak of the blackened thermometer through the colors of the spectrum, he

noticed the increasing temperature from violet to red. The temperature rose even more in the area behind the red end of the spectrum. Finally he found the maximum temperature far behind the red area.

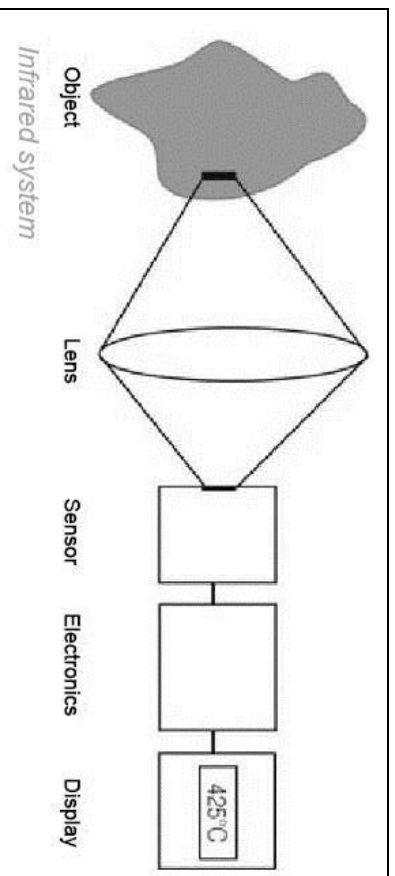
Nowadays this area is called “infrared wavelength area”.



**Figure 44:** The electromagnetic spectrum and the area used for temperature measurement

For the measurement of “thermal radiation” infrared thermometry uses a wave-length ranging between 1 μm and 20 μm. The intensity of the emitted radiation depends on the material. This material contingent constant is described with the help of the emissivity which is a known value for most materials (► **8 Emissivity**).

Infrared thermometers are optoelectronic sensors. They calculate the surface temperature on the basis of the emitted infrared radiation from an object. The most important feature of infrared thermometers is that they enable the user to measure objects contactless. Consequently, these products help to measure the temperature of inaccessible or moving objects without difficulties.



**Figure 45:** Main principle of non-contact thermometry

Infrared thermometers basically consist of the following components:

- Lens
- Spectral filter
- Detector
- Electronics (amplifier/ linearization/ signal processing)

The specifications of the lens decisively determine the optical path of the infrared thermometer, which is characterized by the ratio Distance to Spot size. The spectral filter selects the wavelength range, which is relevant for the temperature measurement. The detector in cooperation with the processing electronics transforms the emitted infrared radiation into electrical signals.

The advantages of non-contact thermometry are clear - it supports:

- temperature measurements of moving or overheated objects and of objects in hazardous surroundings
- very fast response and exposure times
- measurement without inter-reaction, no influence on the measuring object
- non-destructive measurement
- long lasting measurement, no mechanical wear

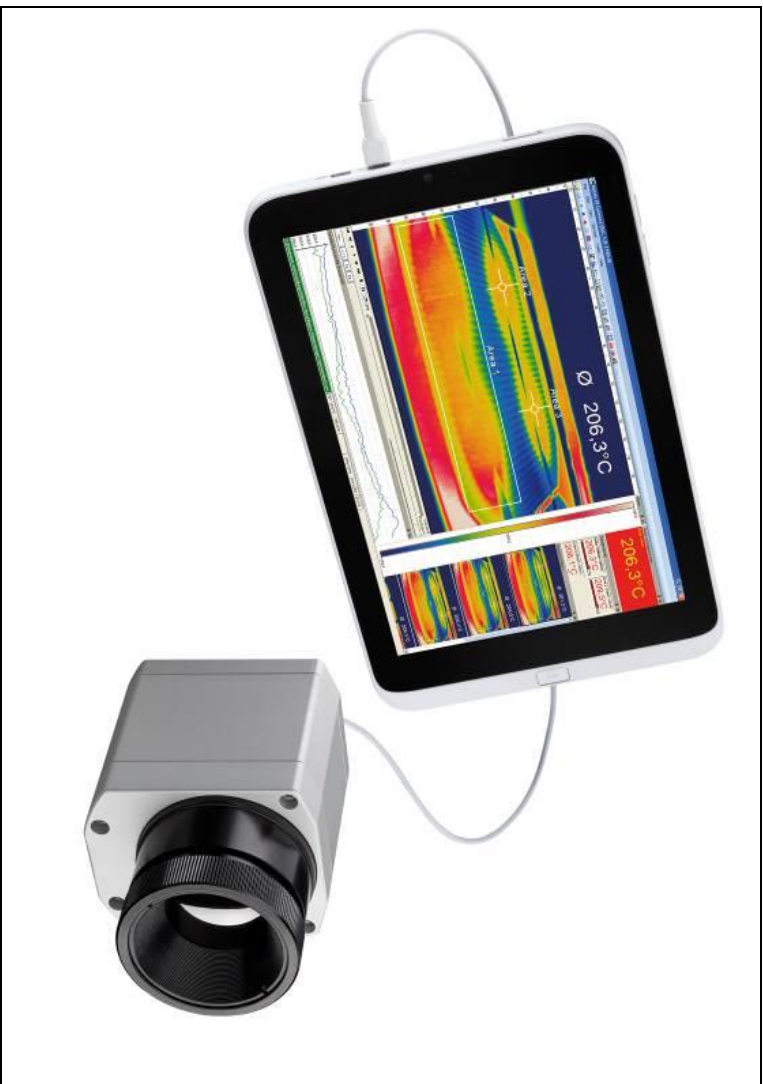
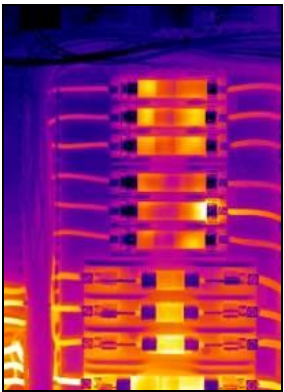
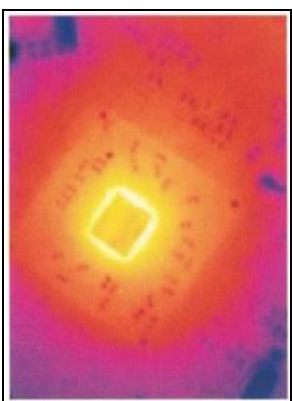


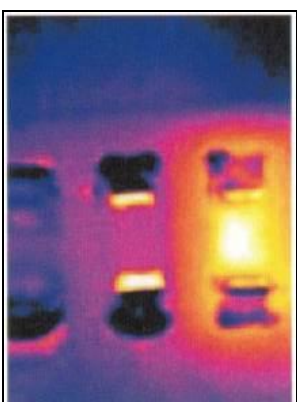
Figure 46: Non-contact thermometry

**Application field:**

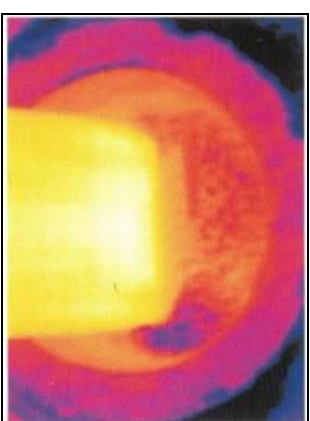
Monitoring of electronic cabinets



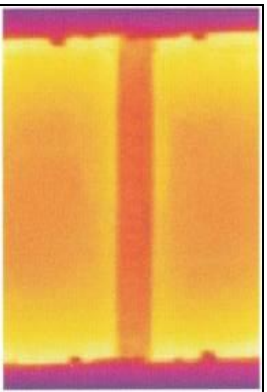
R&amp;D of electronics



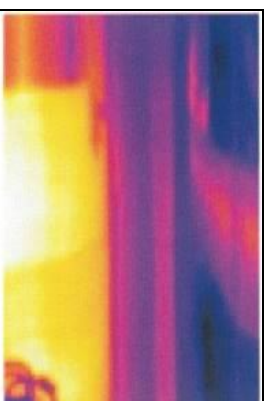
R&amp;D of electronic parts



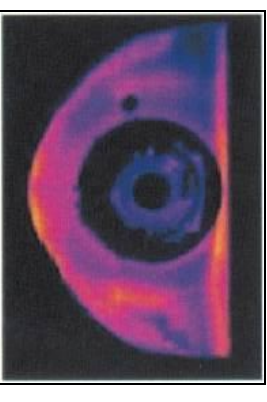
Process control extruding plastic parts



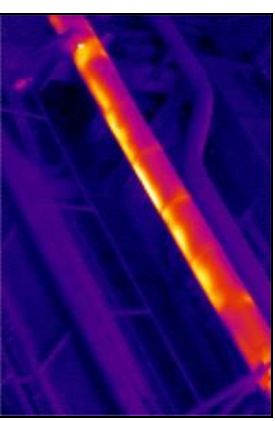
Process control manufacturing solar modules



Process control at calendaring



R&amp;D of mechanical parts



Monitoring of cables

## 8 Emissivity

### 8.1 Definition

The intensity of infrared radiation, which is emitted by each body, depends on the temperature as well as on the radiation features of the surface material of the measuring object. The emissivity ( $\epsilon$  – Epsilon) is used as a material constant factor to describe the ability of the body to emit infrared energy. It can range between 0 and 100 %. A “blackbody” is the ideal radiation source with an emissivity of 1.0 whereas a mirror shows an emissivity of 0.1.

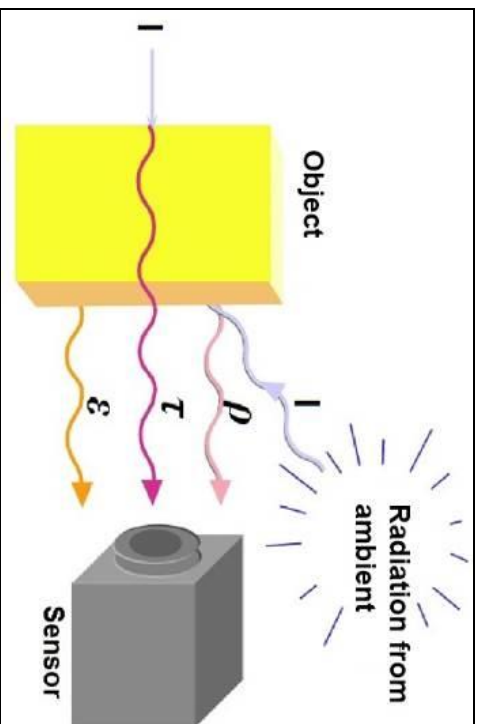
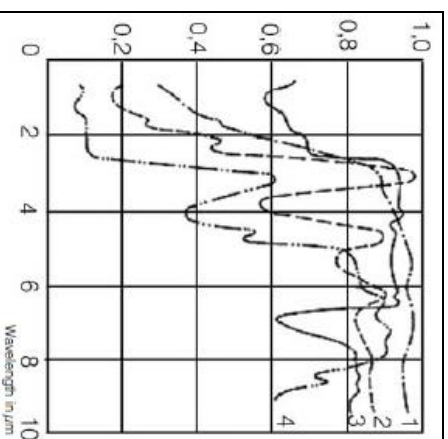


Figure 47: Composition of IR radiation



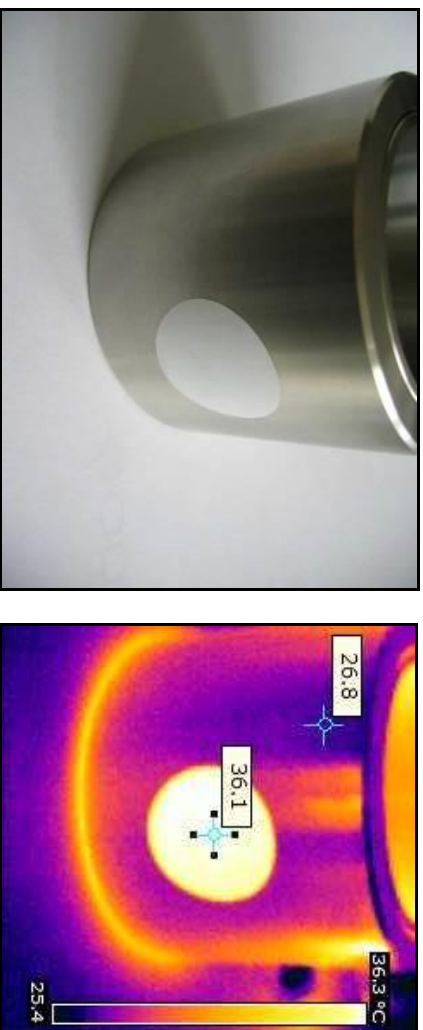
**Figure 48:** Spectral emissivity of several materials: **1** Enamel, **2** Plaster, **3** Concrete, **4** Chamotte

If the emissivity chosen is too high, the infrared thermometer may display a temperature value which is much lower than the real temperature – assuming the measuring object is warmer than its surroundings. A low emissivity (reflective surfaces) carries the risk of inaccurate measuring results by interfering infrared radiation emitted by background objects (flames, heating systems, chamottes). To minimize measuring errors in such cases, the handling should be performed very carefully and the unit should be protected against reflecting radiation sources.



## 8.2 Determination of unknown emissivity

- ▶ First determine the actual temperature of the measuring object with a thermocouple or contact sensor. Second, measure the temperature with the infrared thermometer and modify the emissivity until the displayed result corresponds to the actual temperature.
- ▶ If you monitor temperatures of up to 380 °C you may place a special plastic sticker (emissivity dots – **Part No.: ACLESD**) onto the measuring object, which covers it completely.



**Figure 49:** Plastic sticker at metal surface

Set the emissivity to 0.95 and take the temperature of the sticker. Afterwards, determine the temperature of the adjacent area on the measuring object and adjust the emissivity according to the value of the temperature of the sticker.

- ▶ Cover a part of the surface of the measuring object with a black, flat paint with an emissivity of 0.98. Adjust the emissivity of your infrared thermometer to 0.98 and take the temperature of the colored surface. Afterwards, determine the temperature of a directly adjacent area and modify the emissivity until the measured value corresponds to the temperature of the colored surface.



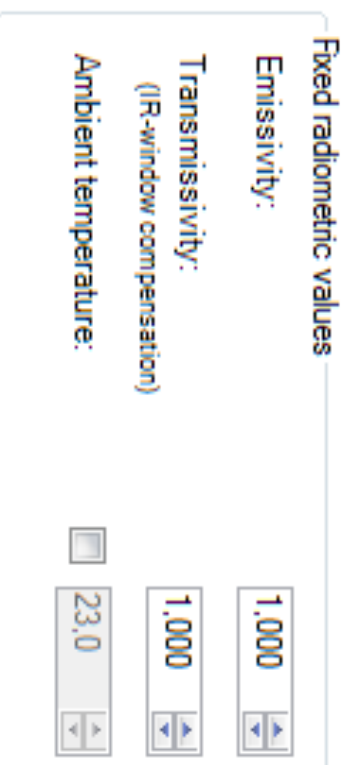
**Figure 50:** Shiny metal surface **left** and blackened metal surface **right**

**CAUTION:** On all three methods the object temperature must be different from ambient temperature.

### 8.3 Characteristic emissivity

In case none of the methods mentioned above help to determine the emissivity you may use the emissivity table ► **Appendix A** and **Appendix B**. These are average values, only. The actual emissivity of a material depends on the following factors:

- temperature
- measuring angle
- geometry of the surface
- thickness of the material
- constitution of the surface (polished, oxidized, rough, sandblast)
- spectral range of the measurement
- transmissivity (e.g. with thin films)



**Figure 51:** Adjustment of the emissivity in the software PIX Connect (menu **Tools** / **Configuration** / **Device**)

## Appendix A – Table of emissivity for metals

Material	typical Emissivity			
	1.0 $\mu\text{m}$	1.6 $\mu\text{m}$	5.1 $\mu\text{m}$	8-14 $\mu\text{m}$
Aluminium	non oxidized	0.02-0.2	0.02-0.2	0.02-0.1
	polished	0.1-0.2	0.02-0.1	0.02-0.1
	roughened	0.2-0.8	0.2-0.6	0.1-0.4
Brass	oxidized	0.4	0.4	0.2-0.4
	polished	0.35	0.01-0.05	0.01-0.05
	roughened	0.65	0.4	0.3
Copper	oxidized	0.6	0.6	0.5
	polished	0.05	0.03	0.03
	roughened	0.05-0.2	0.05-0.2	0.05-0.15
Chrome	oxidized	0.2-0.8	0.2-0.9	0.5-0.8
		0.4	0.4	0.03-0.3
Gold		0.01-0.1	0.01-0.1	0.01-0.1
Haynes	alloy	0.5-0.9	0.6-0.9	0.3-0.8
Inconel	electro polished	0.2-0.5	0.25	0.15
	sandblast	0.3-0.4	0.3-0.6	0.3-0.6
	oxidized	0.4-0.9	0.6-0.9	0.6-0.9
Iron	non oxidized	0.35	0.1-0.3	0.05-0.25
	rusted		0.6-0.9	0.5-0.8
	oxidized	0.7-0.9	0.5-0.9	0.6-0.9
	forged, blunt molten	0.9	0.9	0.9
Iron, casted	non oxidized	0.35	0.3	0.25
	oxidized	0.9	0.7-0.9	0.65-0.95

Material	Spectral response	typical Emissivity			
		1.0 $\mu\text{m}$	1.6 $\mu\text{m}$	5.1 $\mu\text{m}$	8-14 $\mu\text{m}$
Lead	polished	0.35	0.05-0.2	0.05-0.2	0.05-0.1
	roughened oxidized	0.65	0.6 0.3-0.7	0.4 0.2-0.7	0.4 0.2-0.6
Magnesium		0.3-0.8	0.05-0.3	0.03-0.15	0.02-0.1
Mercury			0.05-0.15	0.05-0.15	0.05-0.15
Molybdenum	non oxidized	0.25-0.35	0.1-0.3	0.1-0.15	0.1
	oxidized	0.5-0.9	0.4-0.9	0.3-0.7	0.2-0.6
Monel (Ni-Cu)		0.3	0.2-0.6	0.1-0.5	0.1-0.14
Nickel	electrolytic	0.2-0.4	0.1-0.3	0.1-0.15	0.05-0.15
	oxidized	0.8-0.9	0.4-0.7	0.3-0.6	0.2-0.5
Platinum	black		0.95	0.9	0.9
Silver		0.04	0.02	0.02	0.02
Steel	polished plate	0.35	0.25	0.1	0.1
	rustless	0.35	0.2-0.9	0.15-0.8	0.1-0.8
	heavy plate cold-rolled oxidized	0.8-0.9 0.8-0.9	0.8-0.9 0.8-0.9	0.8-0.9 0.7-0.9	0.4-0.6 0.7-0.9 0.7-0.9
Tin	non oxidized	0.25	0.1-0.3	0.05	0.05
Titanium	polished	0.5-0.75	0.3-0.5	0.1-0.3	0.05-0.2
	oxidized		0.6-0.8	0.5-0.7	0.5-0.6
Wolfram	polished	0.35-0.4	0.1-0.3	0.05-0.25	0.03-0.1
Zinc	polished	0.5	0.05	0.03	0.02
	oxidized	0.6	0.15	0.1	0.1

## Appendix B – Table of emissivity for non-metals

Material	typical Emissivity			
	1.0 $\mu\text{m}$	2.2 $\mu\text{m}$	5.1 $\mu\text{m}$	8-14 $\mu\text{m}$
Spectral response				
Asbestos	0.9	0.8	0.9	0.95
Asphalt			0.95	0.95
Basalt			0.7	0.7
Carbon		0.8-0.9	0.8-0.9	0.8-0.9
		0.8-0.9	0.7-0.9	0.7-0.8
Carbon non oxidized graphite		0.95	0.9	0.9
Carborundum				
Ceramic	0.4	0.8-0.95	0.8-0.95	0.95
Concrete	0.65	0.9	0.9	0.95
Glass		0.2	0.98	0.85
		0.4-0.9	0.9	
Grit			0.95	0.95
Gypsum			0.4-0.97	0.8-0.95
Ice				0.98
Limestone			0.4-0.98	0.98
Paint				0.9-0.95
				0.95
Paper			0.95	0.95
			0.95	0.95
Plastic >50 $\mu\text{m}$			0.9	0.95
Rubber			0.9	0.95
Sand			0.9	0.9
Snow				0.9
Soil				0.9-0.98
Textiles			0.95	0.95
Water				0.93
Wood			0.9-0.95	0.9-0.95
	natural			

## Appendix C – Quick start for serial communication

### Introduction

One special feature of the PIX Connect software contains the possibility to communicate via a serial COM-Port interface. This can be a physical COM-Port or a virtual COM-Port (VCP). It must be available on the computer where the PIX Connect software is installed.

### Setup of the interface

1. Open the **Configurations** dialog and enter the tab **External Communication** to enable the software for the serial communication.
2. Select the mode **COM-Port** and choose the appropriate port.
3. Select the baud rate that matches the baud rate of the other communication device. The other interface parameters are 8 data bits, no parity and one stop bit (8N1).

These parameters are used in many other communication devices too. The other station must support 8 bit data.

4. Connect the computer with the communication device. If this is a computer too, use a null modem cable.

## Command list



The command list is provided on the software CD and in the PIX Connect software (Help → SDK). Every command must expire with CR/LF (0x0D, 0x0A).



## Appendix D – Interprocess Communication (IPC)



The description of the initialization procedure as well as the necessary command list is provided on the CD and in the PIX Connect software (**Help** → **SDK**).

2 SDK packages are available (can be found on the included software CD):

1. **Connect SDK**: requires the PIX Connect software
2. **Direct SDK**: no PIX Connect software required, supports Linux and Windows

The communication to the process imager device is handled by the PIX Connect software (**Imager . exe**) only. A dynamic link library (**ImagerIPC2 . dll**) provides the interprocess communication (IPC) for other attached processes. The DLL can be dynamically linked into the secondary application. Or it can be done static by a lib file too. Both **Imager . exe** and **ImagerIPC2 . dll** are designed for Windows Vista/ 7/ 8/ 10 only. The application must support call-back functions and polling mode.

The **ImagerIPC2 . dll** will export a bunch of functions that are responsible for initiating the communication, retrieving data and setting some control parameters.

The main difference to the former Version 1 (**ImagerIPC . dll**) is the support of more than one Optris PI via multiple instances of Optris PIX Connect.

## Appendix E – PIX Connect Resource Translator



A detailed tutorial is provided on the CD.

PIX Connect is a **.Net Application**. Therefore it is ready for localization. Localization as a Microsoft idiom means a complete adaption of resources to a given culture. Learn more about the internationalization topics consult Microsoft's developer documentation on

<http://msdn.microsoft.com/en-us/goglobal/bb688096.aspx>.

If desired the localization process can be illustrated in detail. Also the resizing of buttons or other visible resources and the support of right-to-left-languages are supported. Experts who have the appropriate tools should handle it. Nevertheless we have developed the small tool “**Resource Translator**” to make the translation of the resources of the PIX Connect application possible for everybody.

This tool helps to translate any visible text within the PIX Connect application.

## **Appendix F – Wiring diagrams P1F**

### **Analog Output:**

The maximum load impedance is 500 Ohm.

The analog output can be used as a digital output too. The current value for “no alarm” and “alarm on” is set within the software.

## Digital Input:

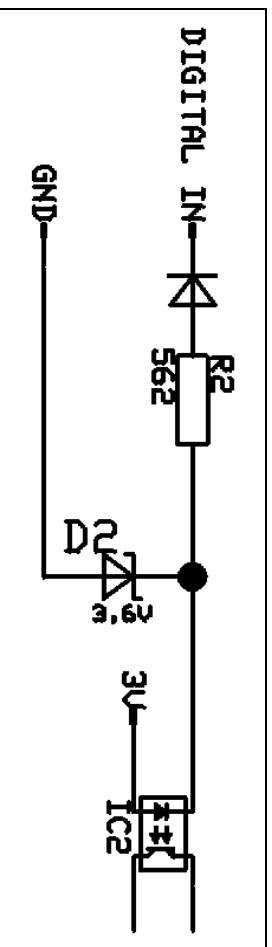


Figure 52: Digital input

The digital input can be activated with a button to the PI GND-Pin or with a low level CMOS/TTL signal: Low level 0...0.6 V; High level 2...24 V

Example Button:

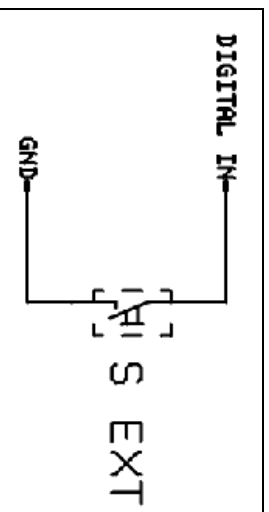


Figure 53: Button

Analog input (usable voltage range: 0 ... 10 V):

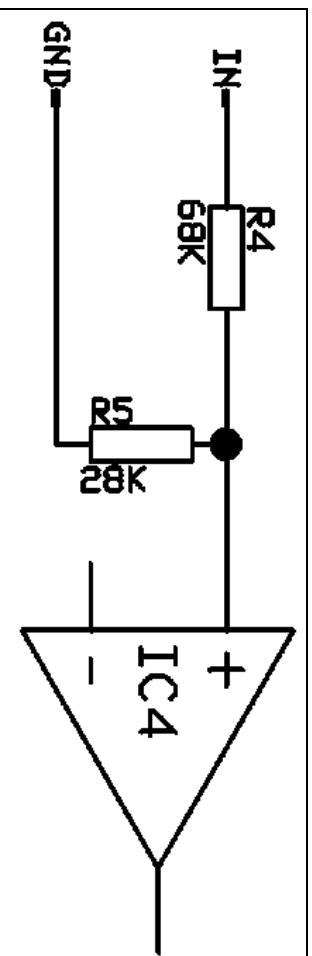


Figure 54: Analog input

### Relay output at industrial PIF [Part No.: ACPPIPFMACBxx]

The analog output must be set to “Alarm”. The range for AO1-AO3 can be set in the software (no alarm: 0-4 mA/ alarm: 10-20 mA).

REL1-3 (DO1-DO3):  $U_{\max} = 30 \text{ VDC}$

$I_{\max} = 400 \text{ mA}$

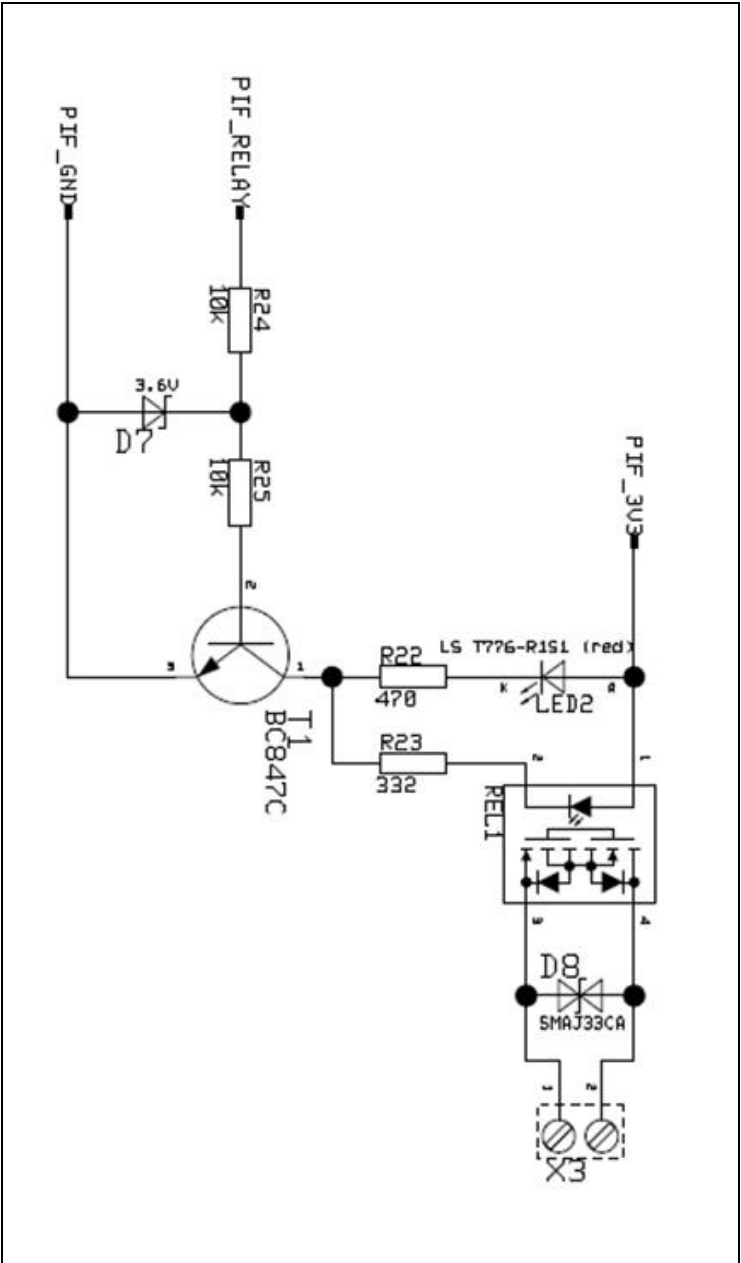


Figure 55: Relay output at industrial PIF

## Appendix G – Declaration of Conformity

## EG-Konformitätserklärung EU Declaration of Conformity



Wir / We

**Optris GmbH  
Ferdinand Buisson Str. 14  
D-13127 Berlin**

erklären in alleiniger Verantwortung, dass  
declare on our own responsibility that

**die Produktserie optris PI  
the product group optris PI**

den Anforderungen der EMV-Richtlinie **2014/30/EU** und der Niederspannungsrichtlinie **2014/35/EU** entspricht.  
meets the provisions of the EMC Directive **2014/30/EU** and the Low Voltage Directive **2014/35/EU**.

Angewandte harmonisierte Normen:  
Applied harmonized standards:

EMV Anforderungen / EMC General Requirements:

**EN 61326-1:2013** (Grundlegende Prüfanforderungen / Basic requirements)  
**EN 61326-2-3:2013**

Gerätesicherheit von Messgeräten / Safety of measurement devices:

**EN 61010-1:2010**  
**EN 60825-1:2014** (Lasersicherheit / Laser safety)

Dieses Produkt erfüllt die Vorschriften der Richtlinie **2011/65/EU** (RoHS) des Europäischen Parlaments und des Rates vom 8. Juni 2011 zur Beschränkung der Verwendung bestimmter gefährlicher Stoffe in Elektro- und Elektronikgeräten.

This product is in conformity with Directive **2011/65/EU** (RoHS) of the European Parliament and of the Council of 8 June 2011 on the restriction of the use of certain hazardous substances in electrical and electronic equipment.

Berlin, 04.11.2015

Ort, Datum / place, date

Dr. Ulrich Kienitz  
Geschäftsführer / General Manager

optris PI-MA-E2019-06-A